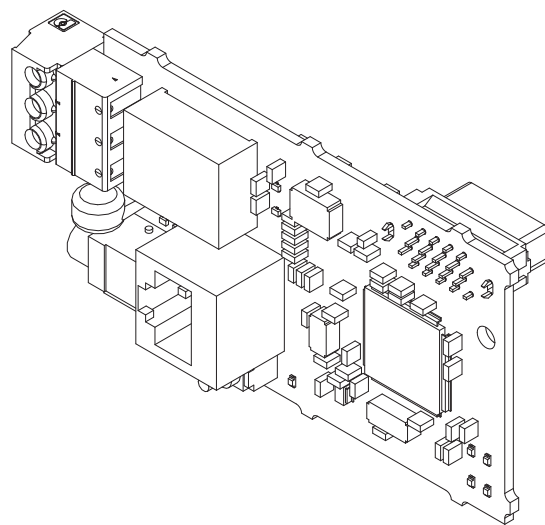


YASKAWA AC Drive1000-Series Option **LONWORKS** Technical Manual

Type SI-W3

To properly use the product, read this manual thoroughly and retain for easy reference, inspection, and maintenance. Ensure the end user receives this manual.



Copyright © 2011 YASKAWA ELECTRIC CORPORATION

All rights reserved. No part of this publication may be reproduced, stored in a retrieval system, or transmitted, in any form or by any means, mechanical, electronic, photocopying, recording, or otherwise, without the prior written permission of Yaskawa. No patent liability is assumed with respect to the use of the information contained herein. Moreover, because Yaskawa is constantly striving to improve its high-quality products, the information contained in this manual is subject to change without notice. Every precaution has been taken in the preparation of this manual. Yaskawa assumes no responsibility for errors or omissions. Neither is any liability assumed for damages resulting from the use of the information contained in this publication.

Table of Contents

1 PREFACE AND SAFETY	4
2 PRODUCT OVERVIEW	7
3 RECEIVING	8
4 OPTION COMPONENTS	9
5 INSTALLATION PROCEDURE	11
6 RELATED PARAMETERS	19
7 BASIC OPERATION	20
8 NETWORK VARIABLES	21
9 DRIVE CONFIGURATION PROPERTIES	38
10 TROUBLESHOOTING	43
11 FUNCTION MODULES	45
12 SPECIFICATIONS	70

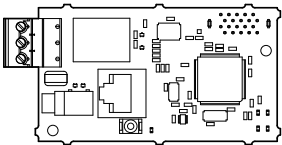
1 Preface and Safety

Yaskawa manufactures products used as components in a wide variety of industrial systems and equipment. The selection and application of Yaskawa products remain the responsibility of the equipment manufacturer or end user. Yaskawa accepts no responsibility for the way its products are incorporated into the final system design. Under no circumstances should any Yaskawa product be incorporated into any product or design as the exclusive or sole safety control. Without exception, all controls should be designed to detect faults dynamically and fail safely under all circumstances. All systems or equipment designed to incorporate a product manufactured by Yaskawa must be supplied to the end user with appropriate warnings and instructions as to the safe use and operation of that part. Any warnings provided by Yaskawa must be promptly provided to the end user. Yaskawa offers an express warranty only as to the quality of its products in conforming to standards and specifications published in the Yaskawa manual. **NO OTHER WARRANTY, EXPRESS OR IMPLIED, IS OFFERED.** Yaskawa assumes no liability for any personal injury, property damage, losses, or claims arising from misapplication of its products.

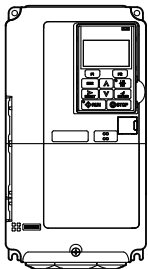
◆ Applicable Documentation

The following manuals are available for the option:

LONWORKS SI-W3 Option

	Yaskawa AC Drive 1000-Series Option LONWORKS Installation Manual Manual No: TOBP C730600 56	Read this manual first. The installation manual is packaged with the option and contains information required to install the option and set up related drive parameters.
	Yaskawa AC Drive 1000-Series Option LONWORKS Technical Manual Manual No: SIEP C730600 56 (This book)	The technical manual contains detailed information about the option. Access the following sites to obtain the technical manual: U.S.: http://www.yaskawa.com Europe: http://www.yaskawa.eu.com Japan: http://www.e-mechatronics.com For questions, contact your local Yaskawa sales office or the nearest Yaskawa representative.

Yaskawa Drive

	Yaskawa AC Drive 1000-Series Quick Start Guide	The drive manuals cover basic installation, wiring, operation procedures, functions, troubleshooting, and maintenance information. The manuals also include important information about parameter settings and drive tuning.
	Yaskawa AC Drive 1000-Series Technical Manual	Access these sites to obtain Yaskawa instruction manuals: U.S.: http://www.yaskawa.com Europe: http://www.yaskawa.eu.com Japan: http://www.e-mechatronics.com For questions, contact your local Yaskawa sales office or the nearest Yaskawa representative.

◆ Terms and Abbreviations

- Note:** Indicates supplemental information that is not related to safety messages.
- Drive:** Yaskawa AC Drive 1000-Series
- Option:** Yaskawa AC Drive 1000-Series Option LONWORKS SI-W3

◆ Registered Trademarks

- LONWORKS is a trademark of ECHELON USA.
- Trademarks are the property of their respective owners.

◆ Supplemental Safety Information

Read and understand this manual before installing, operating, or servicing this option. Install the option according to this manual and local codes.

The following conventions indicate safety messages in this manual. Failure to heed these messages could cause fatal injury or damage products and related equipment and systems.

DANGER

Indicates a hazardous situation, which, if not avoided, will result in death or serious injury.

WARNING

Indicates a hazardous situation, which, if not avoided, could result in death or serious injury.

CAUTION

Indicates a hazardous situation, which, if not avoided, could result in minor or moderate injury.

NOTICE

Indicates an equipment damage message.

■ General Safety

General Precautions

- The diagrams in this book may include options and drives without covers or safety shields to illustrate details. Be sure to reinstall covers or shields before operating any devices. Use the option according to the instructions described in this manual.
- Any illustrations, photographs, or examples used in this manual are provided as examples only and may not apply to all products to which this manual is applicable.
- The products and specifications described in this manual or the content and presentation of the manual may be changed without notice to improve the product and/or the manual.
- When ordering new copies of the manual, contact a Yaskawa representative or the nearest Yaskawa sales office and provide the manual number shown on the front cover.

DANGER

Heed the safety messages in this manual.

Failure to comply will result in death or serious injury.

The operating company is responsible for any injuries or equipment damage resulting from failure to heed the warnings in this manual.

NOTICE

Do not modify the drive or option circuitry.

Failure to comply could result in damage to the drive or option and will void warranty.

Yaskawa is not responsible for any modification of the product made by the user. This product must not be modified.

Do not expose the drive or option to halogen group disinfectants.

Failure to comply may cause damage to the electrical components in the drive or option.

Do not pack the drive in wooden materials that have been fumigated or sterilized.

Do not sterilize the entire package after the product is packed.

2 Product Overview

◆ About This Product

The LONWORKS Communication Option Card (Model SI-W3) is based on LonTalk. It acts as an interface for connecting an AC drive to a LONWORKS network using the LonTalk protocol.

With the option card installed to the drive, the following operations are possible with devices using the LonTalk protocol.

- operate the drive
- monitor the operation status of the drive
- change parameter settings.

◆ Applicable Models

The option can be used with the models in *Table 1*.

Table 1 Applicable Models

Drive Series	Software Version <1>
A1000	≥ PRG 1017

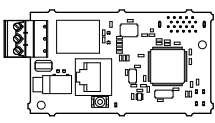



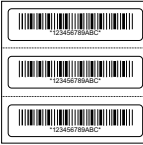
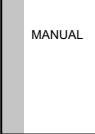
<1> See “PRG” on the drive nameplate for the software version number.

3 Receiving

Please perform the following tasks upon receiving the option:

- Inspect the option for damage. Contact the shipper immediately if the option appears damaged upon receipt.
- Verify receipt of the correct model by checking the model number printed on the option nameplate (Refer to *Figure 1* on page 9 for more information).
- Contact your supplier if you have received the wrong model or the option does not function properly.

◆ Option Package Contents

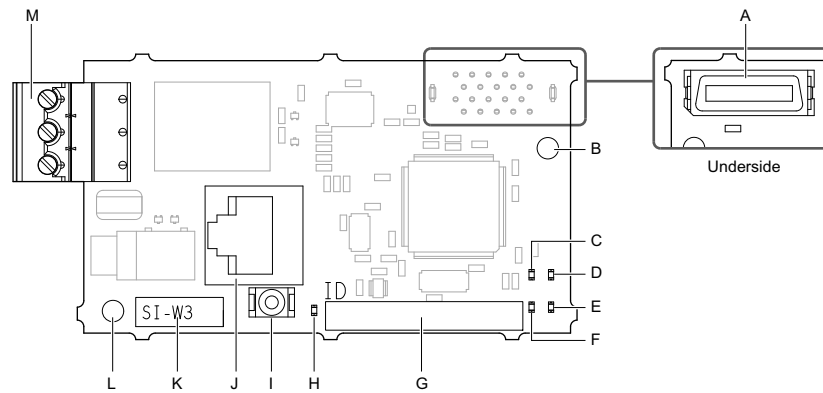
Description:	Option	Ground Wire	Screws (M3)	LED Label	Bar Code Label	Installation Manual
-						
Quantity:	1	1	3	1	1	1

◆ Tools Required for Installation

- A Phillips screwdriver (M3 metric / #1, #2 U.S. standard size) is required to install the option.
 - A straight-edge screwdriver (blade depth: 0.4 mm, width: 2.5 mm) is required to wire the option terminal block.
- Note:** Tools required to prepare option cables for wiring are not listed in this manual.

4 Option Components

◆ LONWORKS Option



- | | |
|------------------------------|--|
| A – Connector (CN5) | H – LED (SERVICE) |
| B – Installation hole | I – Service switch |
| C – LED (ERR) <1> | J – Digital operator connector (CN3) |
| D – LED (RUN) <1> | K – Model number |
| E – LED (TX) <1> | L – Ground terminal and installation hole <2> |
| F – LED (RX) <1> | M – Terminal block CN1 |
| G – Neuron ID | |

<1> Refer to *Option LED Display on page 10* for details on the LEDs.

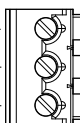
<2> The ground wire provided in the option shipping package must be connected during installation.

Figure 1 LONWORKS Option Components

◆ Terminal Block CN1

The communication terminal is a pluggable terminal block that serves as the connection point of the LONWORKS network communication cable to the option.

Table 2 Terminal Descriptions

Terminal	Terminal No.	Name	Description
	1	A	Signal Line A
	2	SLD	Shield
	3	B	Signal Line B

◆ Connector CN3 for Digital Operator

DANGER! *Electric Shock Hazard. Do not touch drive main terminals and control terminals. Failure to comply will result in death or serious injury.*

Connecting the CN3 and the digital operator (model: JVOP-182) lets the user set the DDC function parameters. Refer to *Connection of Digital Operator on page 45* for details.

◆ Service Switch

This is a neuron ID output switch. Pressing this switch outputs the neuron ID to the network.

■ Initializing Bind Data

Cycling power to the drive while holding down the service switch will clear the bind data, and reset the configuration properties back to the factory settings.

Note: Do not turn off the power to the drive while initializing the bind data. The RUN, RX, TX, and ERR LEDs are lit (ON) during initialization of the bind data.

◆ Option LED Display

The option has five LEDs.

The operational states of the LEDs are described in *Table 3*.

Table 3 Option LED States

LED Name	Display		Operating Status	Explanation (major faults)
	Color	Status		
RUN	Green	ON	Normal operation	Device is operating normally.
		Flashing	Network not configured	LONWORKS network has not been configured.
		OFF	Power OFF	No power is being supplied to the drive.
			Hardware fault	An unrecoverable fault has occurred. If the unit does not recover after cycling power, then the option card may need to be replaced.
RX	Green	ON/ Flashing	Receiving	Receiving node data
		OFF	Node data not yet received	No input signal
TX	Green	ON/ Flashing	Sending	Sending data
		OFF	Not sending data	No data is being send
ERR	Red	ON	Hardware fault	An unrecoverable fault has occurred. If the unit does not recover after cycling power, then the option card may need to be replaced.
		Flashing	Comm error	CALL or BUSS error has occurred
		OFF	Normal operation	Device is operating normally.
SERVICE	Green	ON	Service switch active	Service switch is being held down
			Hardware fault	An unrecoverable fault has occurred. If the unit does not recover after cycling power, then the option card may need to be replaced.
		Flashing	Network not configured	LONWORKS network has not been configured
		OFF	Normal operation	Device is operating normally.

Note: The RUN, RX, TX, and ERR LEDs are lit (ON) during initialization of the bind data.

◆ Neuron ID

The neuron ID is written on the side of the service switch. Refer to *Figure 1* on page 9 for details.

The bar code for the neuron ID is included on the device and the packaging.

5 Installation Procedure

◆ Section Safety

DANGER

Electrical Shock Hazard

Do not connect or disconnect wiring while the power is on.

Failure to comply will result in death or serious injury.

Disconnect all power to the drive and wait at least the amount of time specified on the drive front cover safety label. After all indicators are off, measure the DC bus voltage to confirm safe level, and check for unsafe voltages before servicing. The internal capacitor remains charged after the power supply is turned off.

WARNING

Electrical Shock Hazard

Do not remove the front covers of the drive while the power is on.

Failure to comply could result in death or serious injury.

The diagrams in this section may include options and drives without covers or safety shields to show details. Be sure to reinstall covers or shields before operating any devices. Use the option according to the instructions described in this manual.

Do not allow unqualified personnel to use equipment.

Failure to comply could result in death or serious injury.

Maintenance, inspection, and replacement of parts must be performed only by authorized personnel familiar with installation, adjustment, and maintenance of this product.

Do not touch the option card while the power to the drive is on.

Do not touch the drive's main terminals and control circuit terminals when using the service switch and digital operator connector on the option unit. Failure to comply could result in death or serious injury.

Do not use damaged wires, stress the wiring, or damage the wire insulation.

Failure to comply could result in death or serious injury.

Fire Hazard

Tighten all terminal screws to the specified tightening torque.

Loose electrical connections could result in death or serious injury by fire due to overheating of electrical connections.

NOTICE

Damage to Equipment

Observe proper electrostatic discharge (ESD) procedures when handling the option, drive, and circuit boards.

Failure to comply may result in ESD damage to circuitry.

Never shut the power off while the drive is running or outputting voltage.

Failure to comply may cause the application to operate incorrectly or damage the drive.

Do not operate damaged equipment.

Failure to comply may cause further damage to the equipment.

Do not connect or operate any equipment with visible damage or missing parts.

NOTICE

Do not use unshielded cable for control wiring.

Failure to comply may cause electrical interference resulting in poor system performance. Use shielded twisted-pair wires and ground the shield to the ground terminal of the drive.

Properly connect all pins and connectors.

Failure to comply may prevent proper operation and possibly damage equipment.

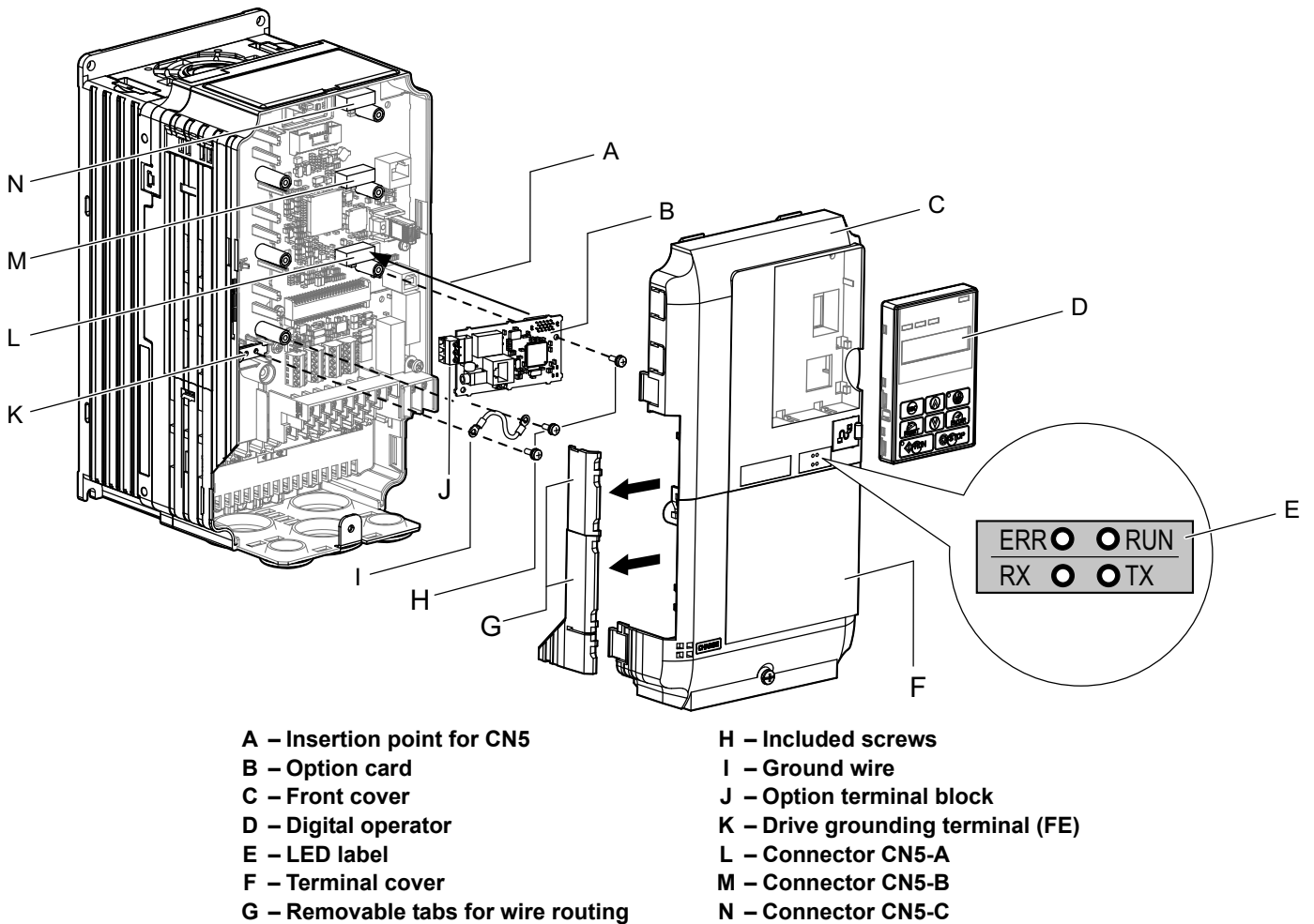
Check wiring to ensure that all connections are correct after installing the option and connecting any other devices.

Failure to comply may result in damage to the option.

◆ **Prior to Installing the Option**

Prior to installing the option, wire the drive, make the necessary connections to the drive terminals, and verify that the drive functions normally. Refer to the Quick Start Guide packaged with the drive for information on wiring and connecting the drive.

Figure 2 shows an exploded view of the drive with the option and related components for reference.



◆ Installing the Option

Refer to the instructions below to install the option.

1. Shut off power to the drive, wait the appropriate amount of time for voltage to dissipate, then remove the digital operator (D) and front covers (C, F). Refer to the Quick Start Guide packaged with the drive for directions on removing the front covers. Cover removal varies depending on drive size.

DANGER! Electrical Shock Hazard. Disconnect all power to the drive and wait at least the amount of time specified on the drive front cover safety label. After all indicators are off, measure the DC bus voltage to confirm safe level, and check for unsafe voltages before servicing to prevent electric shock. The internal capacitor remains charged even after the power supply is turned off.

NOTICE: Damage to Equipment. Observe proper electrostatic discharge procedures (ESD) when handling the option, drive, and circuit boards. Failure to comply may result in ESD damage to circuitry.

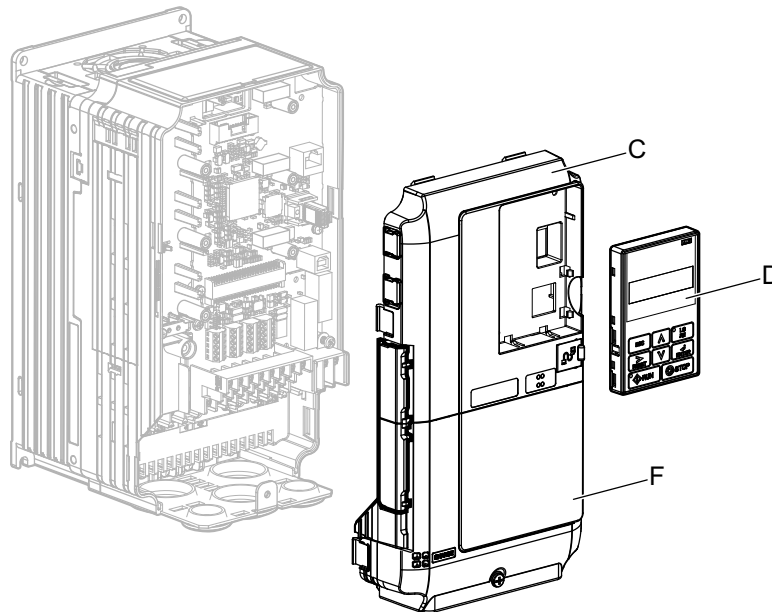


Figure 3 Remove the Front Covers and Digital Operator

2. With the front covers and digital operator removed, apply the LED label (E) in the appropriate position on the drive top front cover (C).

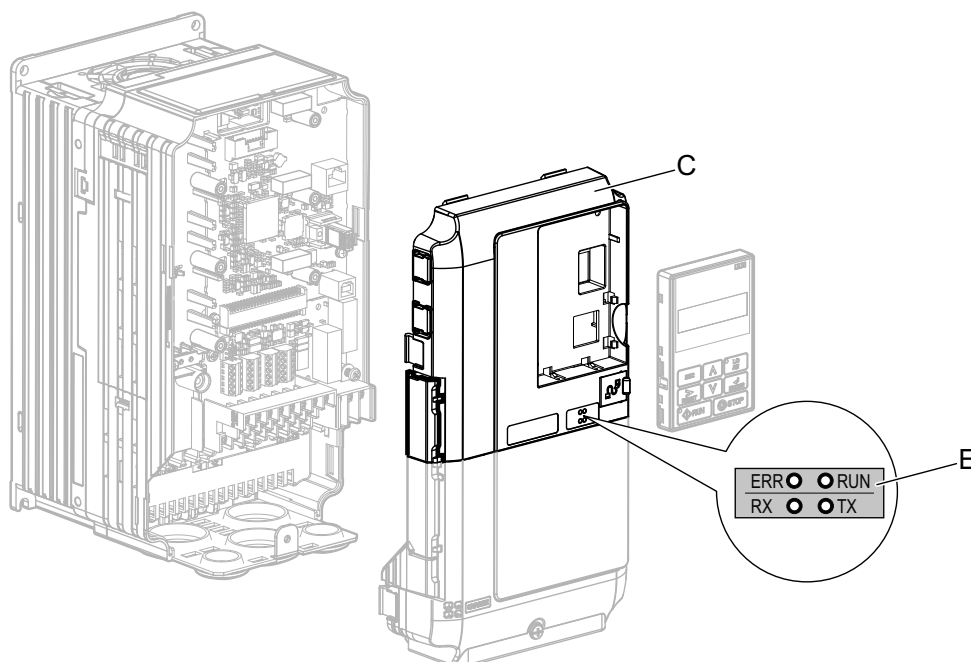


Figure 4 Apply the LED Label

5 Installation Procedure

3. Make sure the screws on the left and right sides of the option terminal block (J) are tightened with a tightening torque of 0.5 to 0.6 (N·m) or 4.4 to 5.43 (inch-lbs), then insert the option card (B) into the CN5-A connector (L) located on the drive and fasten it using one of the included screws (H).

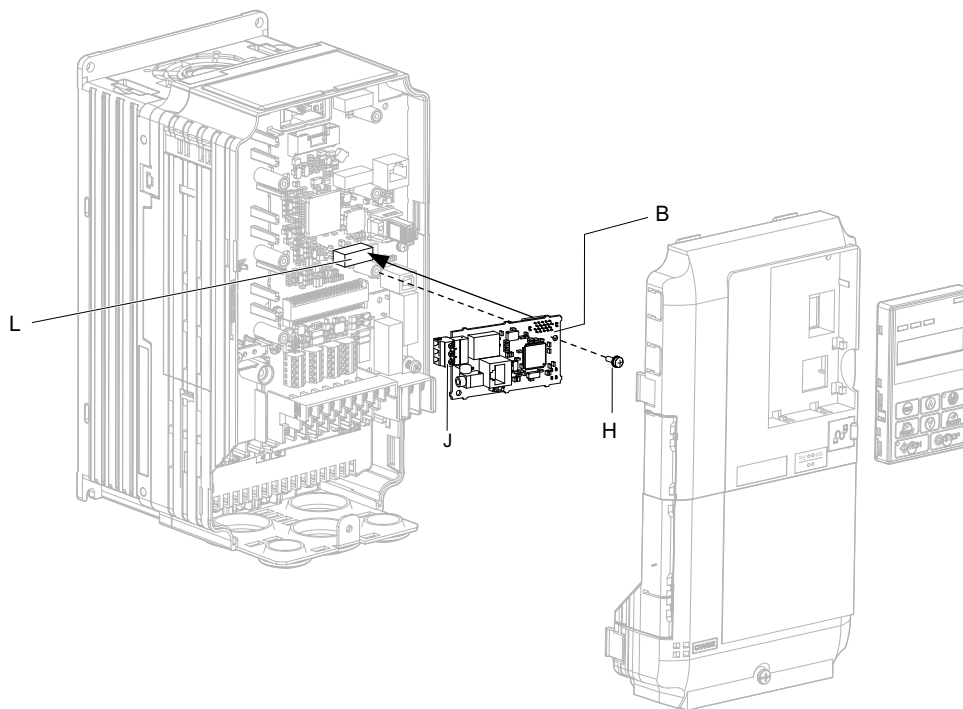


Figure 5 Insert the Option Card

4. Connect the ground wire (I) to the ground terminal (K) using one of the remaining provided screws (H). Connect the other end of the ground wire (I) to the remaining ground terminal and installation hole on the option using the last remaining provided screw (H).

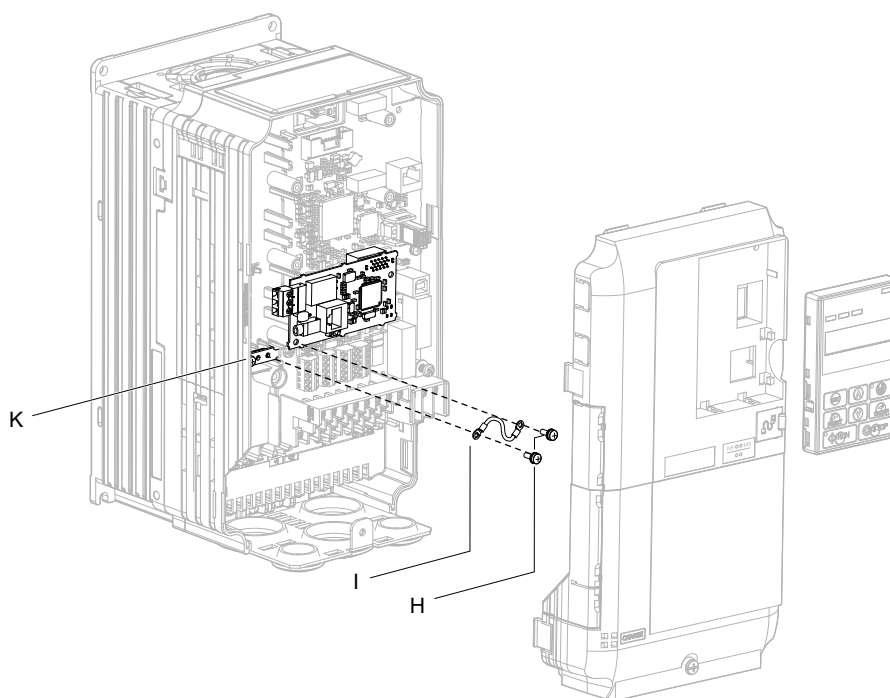


Figure 6 Connect the Ground Wire

Note: There are two screw holes on the drive for use as ground terminals. When connecting more than two options, two ground wires will need to share the same drive ground terminal.

5. Select the proper type and length of communication cables.
Refer to Wiring Specifications on page 17 for details on selecting cables.
6. Prepare and connect the communication cables to the terminal block as shown in **Figure 7** and **Figure 8**. Take particular precaution to ensure that each wire is properly connected and wire insulation is not accidentally pinched into electrical terminals.

WARNING! Fire Hazard. Tighten all terminal screws according to the specified tightening torque. Loose electrical connections could result in death or serious injury by fire due to overheating electrical connections. Tightening screws beyond the specified tightening torque may result in erroneous operation, damage to the terminal block, or cause a fire.

NOTICE: Heat shrink tubing or electrical tape may be required to ensure that cable shielding does not come into contact with other wiring. Insufficient insulation may cause a short circuit that can damage the option or the drive.

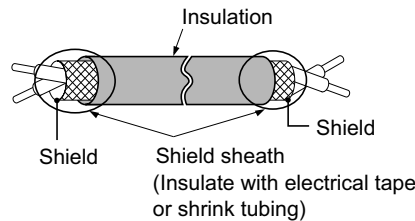


Figure 7 Preparing Ends of Shielded Cable

Note: Separate communication cables from main circuit wiring and other electrical lines.

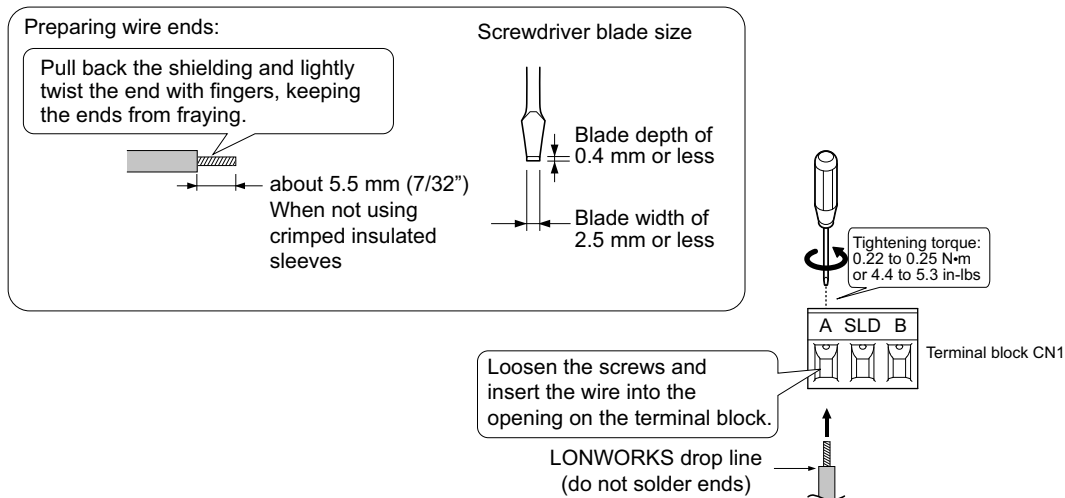


Figure 8 Preparing and Connecting Communication Cable Wiring

Connection Diagram

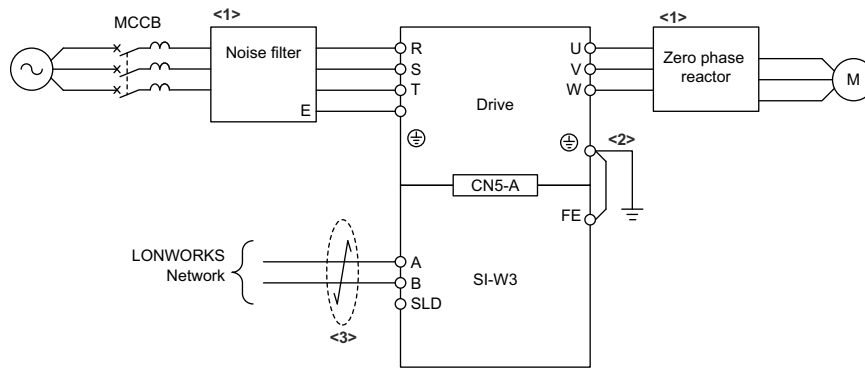


Figure 9 Option Connection Diagram

- <1>If noise problems arise in the communication signals, install a noise filter to the input lines and a zero-phase reactor to the output lines. Refer to **Noise Countermeasures on page 16** for more information.
- <2>Make sure the lead line installed to the FE terminal on the option card is connected to the ground terminal on the drive.
- <3>Do not connect the shield line directly to the SLD terminal or the drive ground terminal. Failure to comply may cause a noise problem.

Noise Countermeasures

To reduce noise from the drive, be sure to install a noise filter to the I/O lines as well as a zero-phase reactor. Failing to take steps to reduce noise can poorly affect serial communications.

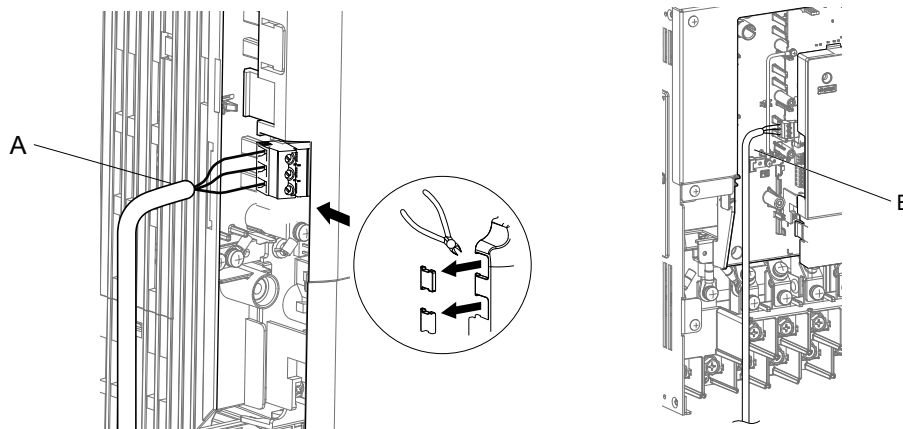
For information on selecting the appropriate noise filter for the input line and zero-phase reactor for the output line, refer to the drive catalog.

Input side	Noise Filter	LNFD series
Output side	Zero Phase Reactor	F6054GB, F11080GB, F200160PB

7. Route the option wiring.

Depending on the drive model, some drives may require routing wire through the side of the front cover to the outside. In these cases, cut out the perforated openings in the left side of the drive front cover as shown in **Figure 10-A**, and leave no sharp edges to damage wiring.

Route the wiring inside the enclosure as show in **Figure 10-B** for drives that do not require routing through the front cover. Refer to the Peripheral Devices & Options section of the drive Technical Manual for more information.



A – Route wires through the openings provided on the left side of the front cover.

B – Use the open space provided inside the drive to route option wiring.

<1>

<1> The drive will not meet NEMA Type 1 requirements if wiring is exposed outside the enclosure.

Figure 10 Wire Routing Examples

8. After wiring the terminal block, recheck the option wire routing performed in step 7.
9. Replace and secure the front covers of the drive (C, F) and replace the digital operator (D).

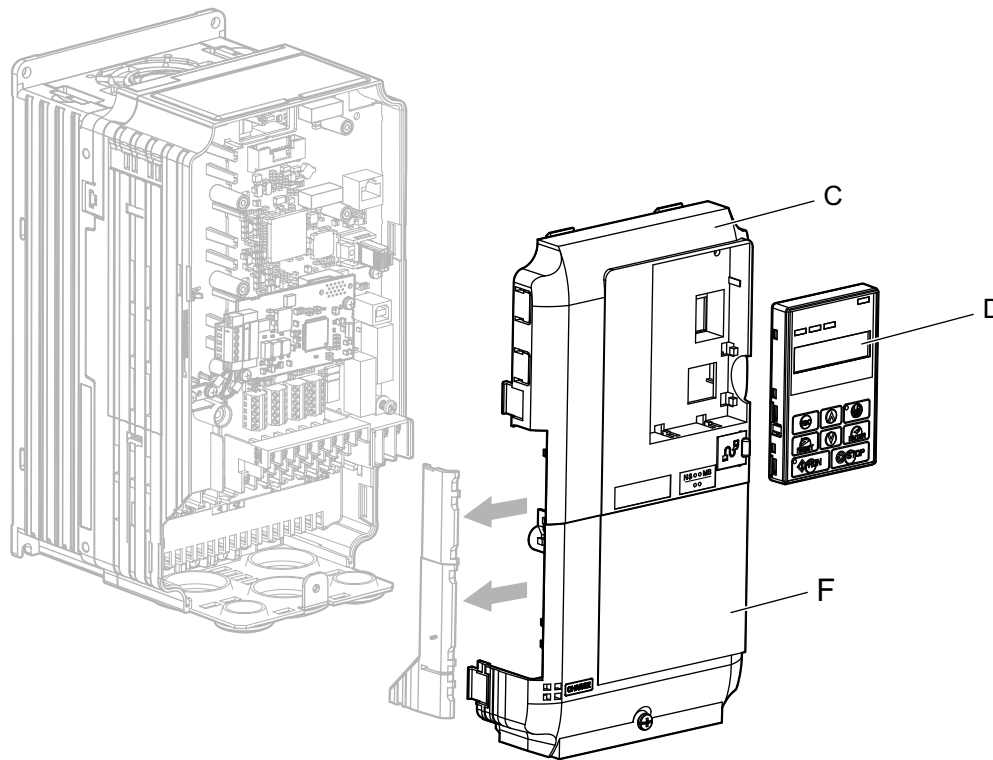


Figure 11 Replace the Front Covers and Digital Operator

Note: Take proper precautions when wiring the option so that the front covers will easily fit back onto the drive. Make sure no cables are pinched between the front covers and the drive when replacing the covers.

10. Set drive parameters in **Table 4** for proper option performance.

◆ Wiring Specifications

Use only the LONWORKS network cables.

Refer to the Echelon web site for more information on network cabling (www.echelon.com). The performance cannot be guaranteed when using the cables other than LONWORKS network cables.

Separate the LONWORKS cables from the wiring to the main circuit and other lines.

◆ Termination

A free topology segment must be terminated. The segment can be terminated anywhere.

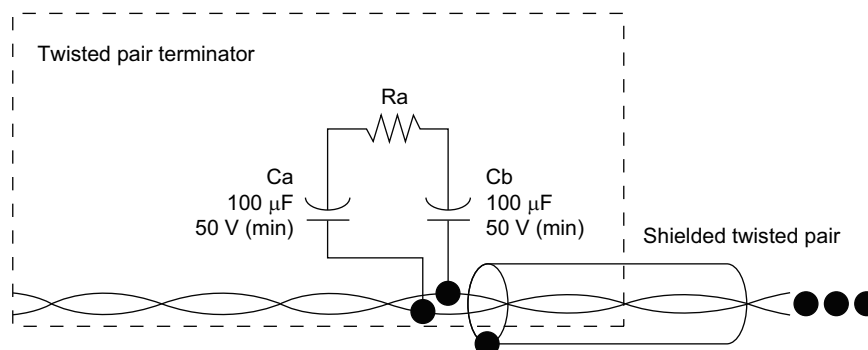


Figure 12 RC Network ($R_a = 52.3\Omega \pm 1\%$, 1/8W)

◆ XIF Files, Resource Files

XIF files and the resource files for this option card are not included. For more information, either contact Yaskawa's sales department directly or your nearest Yaskawa representative.

6 Related Parameters

The following parameters are used to set up the drive for operation with the option.

Confirm proper setting of the all parameters in **Table 4** before starting network communications.

Table 4 Related Parameters

No. (Addr. Hex)	Name	Description	Values
b1-01 (180)	Frequency Reference Selection 1	Selects the frequency reference input source 0: Digital Operator - Digital preset speed d1-01 to d1-17 1: Terminals - Analog input terminal A1 or A2 2: MEMOBUS/Modbus communications 3: Option 4: Pulse Input (Terminal RP)	Default: 1 Range: 0 to 4 (Set to 3 for LONWORKS only)
b1-02 (181)	Run Command Selection 1	Selects the run command input source 0: Digital Operator - RUN and STOP keys 1: Digital input terminals S□ 2: MEMOBUS/Modbus communications 3: Option	Default: 1 Range: 0 to 3 (Set to 3 for LONWORKS only)
F6-01 (3A2)	Communications Error Operation Selection	Determines drive response after a bUS error during communications with the option 0: Ramp to Stop 1: Coast to Stop 2: Fast-Stop 3: Alarm Only <1>	Default: 1 Range: 0 to 3
F6-02 (3A3)	External Fault from Comm. Option Detection Selection	Sets the condition for external fault detection (EF0) 0: Always detected 1: Detected only during operation	Default: 0 Range: 0, 1
F6-03 (3A4)	External Fault from Comm. Option Operation Selection	Determines drive response for external fault input (EF0) detection during LONWORKS communication 0: Ramp to Stop 1: Coast to Stop 2: Fast-Stop 3: Alarm Only <1>	Default: 1 Range: 0 to 3
F6-06 (3A7) <2>	Torque Reference/Torque Limit Selection from Comm. Option	0: Torque reference / torque limit via network communications are disabled. 1: Torque reference / torque limit via network communications are enabled. <3>	Default: 0 Range: 0, 1
F6-07 (3A8)	Multi-Step Speed Enable/Disable Selection when NefRef/ComRef is Selected	0: Multi-step speed reference disabled (F7 functionality) 1: Multi-step speed reference allowed (V7 functionality)	Default: 0 Range: 0, 1
F6-08 (36A)	Reset Communication Parameters	Determines which F6-□□ and F7-□□ parameters are reset to default values when initializing the drive using A1-03. 0: Do not reset parameters 1: Reset parameters	Default: 0 Range: 0, 1

<1> Setting F6-01 or F6-03 to 3 will allow the drive to continue to operate after detecting a fault. When allowing the drive to continue operation after fault detection, be sure to take proper safety measures such as installing an emergency stop switch.

<2> Enabled in CLV, AOLV/PM, and CLV/PM control modes (A1-02 = 3, 6, or 7). When enabled, d5-01 determines whether the value is read as the torque limit value (d5-01 = 0) or read as the torque reference value (d5-01 = 1). This value is read as the torque limit in CLV/PM.

<3> Setting specifies that the torque reference or the torque limit is to be provided with Torque Reference/Torque Limit Selection from Comm. Option (F6-06 = 1). The motor might not rotate if a torque reference or a torque limit is not received from the network.

7 Basic Operation

◆ Run Command and Frequency Reference Selection

Run commands and frequency references can be provided to the Drive via the Operator, external terminals, or communications, but only one of these methods is enabled at any given time and the other two are disabled. The method that is enabled at any one time is determined by Drive parameters.

The default setting is for both run commands and frequency references to be provided by external terminals.

■ Selecting the Reference

Selecting by Drive Parameters

Run command and frequency reference can be selected by changing Drive Parameters b1-01 (Frequency reference selection 1) and b1-02 (Run command selection 1) as shown below.

Parameter	Operator	External Terminals	MEMOBUS	LONWORKS Communications
Frequency reference selection 1 (b1-01)	0	1 (Default)	2	3
Run command selection 1 (b1-02)	0	1 (Default)	2	3

Selecting from the Network (1)

Run command and frequency reference can be selected by setting the nciOpMode from 0 to 3 (default: 0), regardless of the Drive parameter setting.

nciOpMode Set Value	0 (Default)	1	2	3
Frequency Reference	Determined by b1-01	LONWORKS Communications	Determined by b1-01	LONWORKS Communications
Run Command	Determined by b1-02	Determined by b1-02	LONWORKS Communications	LONWORKS Communications

Selecting from the Network (2)

Run command and frequency reference can be selected by using nviWriteParam and nviWriteParamVal to change b1-01 and b1-02.

Changing frequency reference from external terminals to communications:

1. Set 0180H (the b1-01 register number) for nviWriteParam.
2. Set 3 (reference Option PCB) for nviWriteParamVal.
3. If the setting is changed correctly, 3 (the data written in step 2 above) will be set
4. If the setting cannot be changed correctly, an error code will be set in nvoErrCode.

■ Selecting from Control Circuit Terminals (S1 to S8)

Run command and frequency reference rights can be selected by using the Drive's control circuit terminals (S1 to S8).

1. Set b1-01 (Frequency reference selection 1) to 0 (Digital operator) or 1 (Analog input terminals).
2. Set b1-02 (Run command selection 1) to 0 (Digital operator) or 1 (Digital input terminals).
3. Set any of H1-01 to H1-05 (Multi-function digital input terminal S1 to S8 function selection) to 2 (External reference 1/2 selection).

Terminal Status	Frequency Reference and Run Command Selection
OFF	Drive Frequency reference and run command are determined by b1-01 and b1-02.
ON	Option Card (SI-W3) Frequency reference and run command from the network are enabled.

8 Network Variables

◆ Drive and Network Variables

Figure 13 outlines the relationship between drive and network variables.

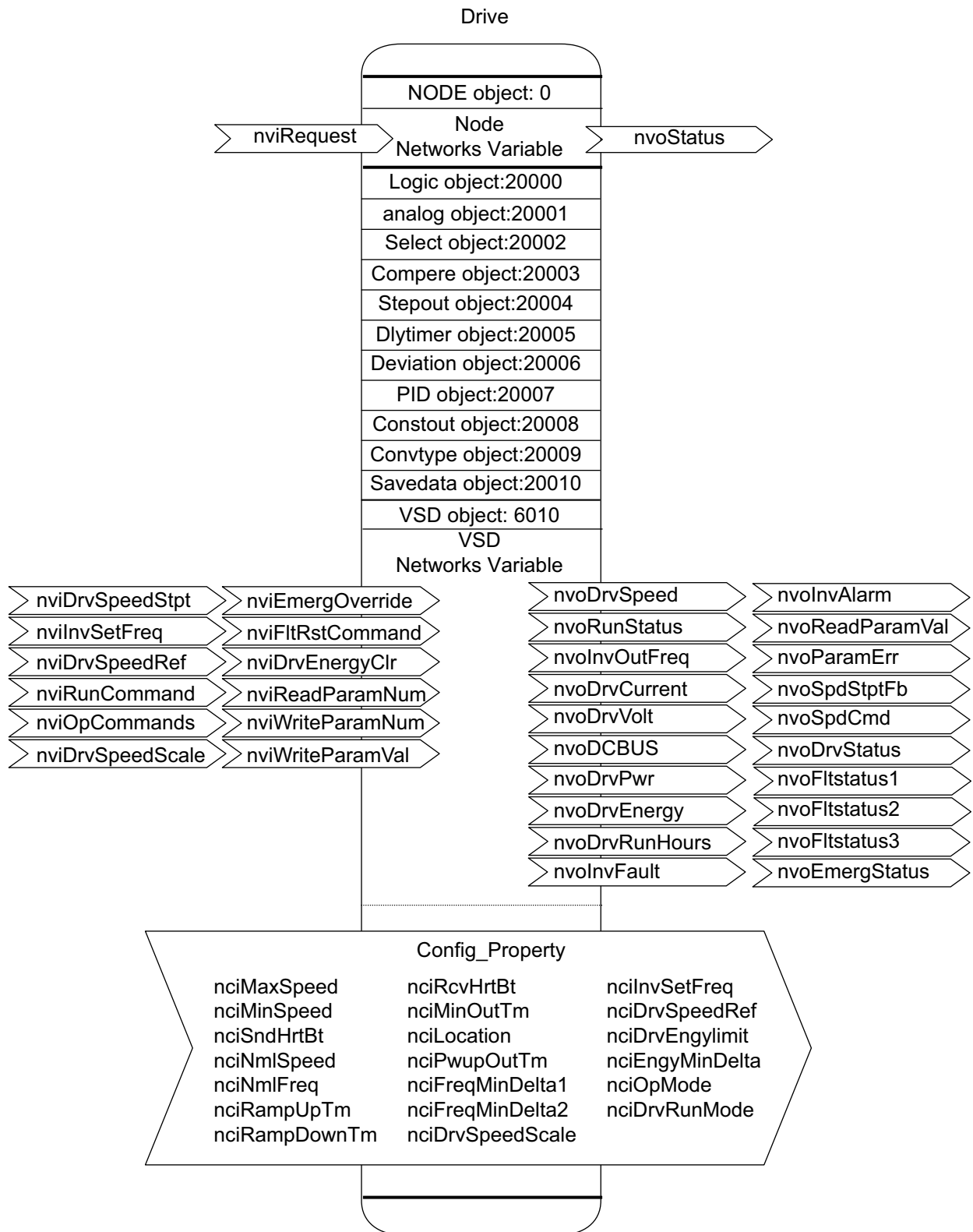


Figure 13 Drive and Network Variables

◆ Node Objects

■ Object Requests

Iput: FSNVT_obj_request nviRequest

Requests the status for each object in a node.

Member Name	Description	
object_id	Object ID number	
	0	Entire node
	1	VSD
	2	logic [0]
	3	logic [1]
	4	logic [2]
	5	logic [3]
	6	logic [4]
	7	logic [5]
	8	logic [6]
	9	logic [7]
	10	Analog [0]
	11	Analog [1]
	12	Analog [2]
	13	Analog [3]
	14	Analog [4]
	15	Analog [5]
	16	Analog [6]
	17	Analog [7]
	18	Analog [8]
	19	Analog [9]
	20	Select [0]
	21	Select [1]
	22	Select [2]
	23	Select [3]
	24	Select [4]
	25	Select [5]
	26	Select [6]
	27	Select [7]
	28	Compare [0]
	29	Compare [1]
	30	Compare [2]
	31	Compare [3]
	32	Compare [4]
33	Compare [5]	

Member Name	Description		
object_id	34	Compare [6]	
	35	Compare [7]	
	36	Stepout [0]	
	37	Dlytimer [0]	
	38	Dlytimer [1]	
	39	Deviation [0]	
	40	Pidmodule [0]	
	41	Pidmodule [1]	
	42	Pidmodule [2]	
	43	Pidmodule [3]	
	44	Constout [0]	
	45	Constout [1]	
	46	Constout [2]	
	47	Constout [3]	
	48	Constout [4]	
	49	Constout [5]	
	50	Convtype [0]	
	51	Convtype [1]	
	52	Convtype [2]	
	53	Convtype [3]	
54	Savedata [0]		
55	Savedata [1]		
56	Savedata [2]		
57	Savedata [3]		
Other	invalid_id		
object_request	0	RQ_NORMAL	Enables the object.
	1	RQ_DISABLED	Disable the object
	2	RQ_UPDATE_STATUS	Not supported. (Normal response)
	3	RQ_SELF_TEST	Not supported. (Normal response)
	4	RQ_UPDATE_ALARM	Not supported. (Normal response)
	5	RQ_REPORT_MASK	Not supported. (Returns message: invalid_request.)
	6	RQ_OVERRIDE	Not supported. (Returns message: invalid_request.)
	7	RQ_ENABLE	Enables the object.
	8	RQ_RMV_OVERRIDE	Not supported. (Returns message: invalid_request.)
	9	RQ_CLEAR_STATUS	Not supported. (Returns message: invalid_request.)
	10	RQ_CLEAR_ALARM	Not supported. (Returns message: invalid_request.)
	11	RQ_ALARM_NOTIFY_ENABLED	Not supported. (Returns message: invalid_request.)
	12	RQ_ALARM_NOTIFY_DISABLED	Not supported. (Returns message: invalid_request.)
	13	RQ_MANUAL_CTRL	Not supported. (Returns message: invalid_request.)
	14	RQ_REMOTE_CTRL	Not supported. (Returns message: invalid_request.)
	15	RQ_PROGRAM	Not supported. (Returns message: invalid_request.)
	0xff	RQ_NUL	Not supported. (Returns message: invalid_request.)

■ Object Status

Output: FSNVT_obj_status nvoStatus

Displays the status of objects in a node.

Member Name		Description
object_id		Object ID (refer to the object request)
bit 31	invalid_id	Turns ON if the object_id specified by nviRequest is invalid.
bit 30	invalid_request	Turns ON if the object_request specified by nviRequest is invalid.
bit 29	disabled	Indicates whether or not a given object is enabled for operation. Turns ON when an object is disabled.
bit 28	out_of_limits	Not supported. (Always 0.)
bit 27	open_circuit	Not supported. (Always 0.)
bit 26	out_of_service	Not supported. (Always 0.)
bit 25	mechanical_fault	Not supported. (Always 0.)
bit 24	feedback_failure	Not supported. (Always 0.)
bit 23	over_range	Not supported. (Always 0.)
bit 22	under_range	Not supported. (Always 0.)
bit 21	electrical_fault	Not supported. (Always 0.)
bit 20	unable_to_measure	Not supported. (Always 0.)
bit 19	comm_failure	Not supported. (Always 0.)
bit 18	fail_self_test	Not supported. (Always 0.)
bit 17	self_test_in_progress	Not supported. (Always 0.)
bit 16	locked_out	Not supported. (Always 0.)
bit 15	manual_control	Not supported. (Always 0.)
bit 14	in_alarm	Not supported. (Always 0.)
bit 13	in_override	Not supported. (Always 0.)
bit 12	report_mask	Not supported. (Always 0.)
bit 11	programming_mode	Not supported. (Always 0.)
bit 10	programming_fail	Not supported. (Always 0.)
bit 9	alarm_notify_disabled	Not supported. (Always 0.)
bit 8 to 0	reserved	Always 0.

◆ VSD Input Network Variables

Name	Variable Type	Description
nviDrvSpeedStpt	SNVT_switch	Drive Speed Setpoint
nviInvSetFreq	SNVT_freq_hz	Drive Frequency Reference (Hz)
nviDrvSpeedRef	SNVT_lev_percent	Drive Speed SetFreq (%)
nviRunCommand	SNVT_switch	Drive Run Reference
nviOpCommands	SNVT_state	Drive Operation Commands
nviDrvSpeedScale	SNVT_lev_percent	Drive Speed Setpoint Scaling
nviEmergOverride	SNVT_hvac_emerg	Drive Emergency
nviFltRstCommand	SNVT_switch	Drive Speed Setpoint Scaling
nviDrvEnergyClr	SNVT_switch	Drive Speed Setpoint Scaling
nviReadParamNum	SNVT_count	Drive Parameter Read
nviWriteParamNum	SNVT_count	Drive Parameter Write
nviWriteParamVal	SNVT_count_inc	Drive Parameter Write Data

■ Drive Speed Setpoint (Drive Speed Operation Command)

Input	SNVT_switch nviDrvSpeedStpt
Default	state = FF; value = 0 Frequency reference = nviDrvSpeedStpt (%) × nviDrvSpeedScale (%) × nciNmlFreq (Hz) Note: When values greater than the maximum output frequency and less than 400 Hz are set, operation is executed at the maximum output frequency. Values greater than 400 Hz are not set in the Drive.
Related network variables, configuration properties	nciRcvHrtBt

This network variable sets Drive run/stop commands and frequency references.

State	Value	Command
0	NA	Drive stop
1	0.0	Zero-speed operation
1	1 to 200	0.5 to 100.0%
1	201 to 255	100.0%
FF (-1)	NA	Disable

After the power is turned ON, “**ErrL**” is displayed at the Operator until data is received.

Also, when a receive heartbeat time is set, a communications error is generated and “**bU5**” is displayed at the Operator if no data is received within that time period.

■ Drive Frequency Reference (Hz) (Drive Frequency Reference)

Input	SNVT_freq_hz nviInvSetFreq
Setting range	0.0 to 6,553.5 Hz (Effective range: 0.0 to 400.0 Hz)
Default	nciInvSetFreq set value Frequency reference values are restricted by the maximum output frequency and the upper limit frequency that have been set for the Drive. Frequency reference = nviInvSetFreq (Hz)
Related network variables, configuration properties	nciRcvHrtBt, nciInvSetFreq

This network variable sets Drive frequency reference values in Hz.

Note: When values greater than the maximum output frequency and less than 400 Hz are set, operation is executed at the maximum output frequency. Values greater than 400 Hz are not set in the Drive.

Frequency reference values are restricted by the maximum output frequency and the upper limit frequency that have been set for the Drive.

After the power is turned ON, “**ErrL**” is displayed at the Operator until data is received. Also, when a receive heartbeat time is set, a communications error is generated and “**bU5**” is displayed at the Operator if no data is received within that time period.

■ Drive Speed SetFreq (%) (Drive Speed Reference)

Input	SNVT_lev_percent nviDrvSpeedRef
Setting range	-163.840 to 163.835% (Effective range: 0.0 to frequency conversion value 400.0 Hz)
Default	nciDrvspeedRef set value
Related network variables, configuration properties	nciRcvHrtBt

This network variable sets Drive speed reference values in percentages.

Note: When values greater than the maximum output frequency and less than 400 Hz are set, operation is executed at the maximum output frequency. Values greater than 400 Hz are not set in the Drive.

8 Network Variables

After the power is turned ON, “*LLL*” is displayed at the Operator until data is received. Also, when a receive heartbeat time is set, a communications error is generated and “*bl5*” is displayed at the Operator if no data is received within that time period.

Speed reference value = $nviDrvSpeedRef (\%) \times nviDrvSpeedScale (\%) \times nciNmlFreq (Hz)$

■ Drive Run Reference (Drive Run Reference)

Input	SNVT_switch nviRunCommand
Default	state = FF; value = 0
Related network variables, configuration properties	nciRcvHrtBt

This network variable sets Drive run and stop commands.

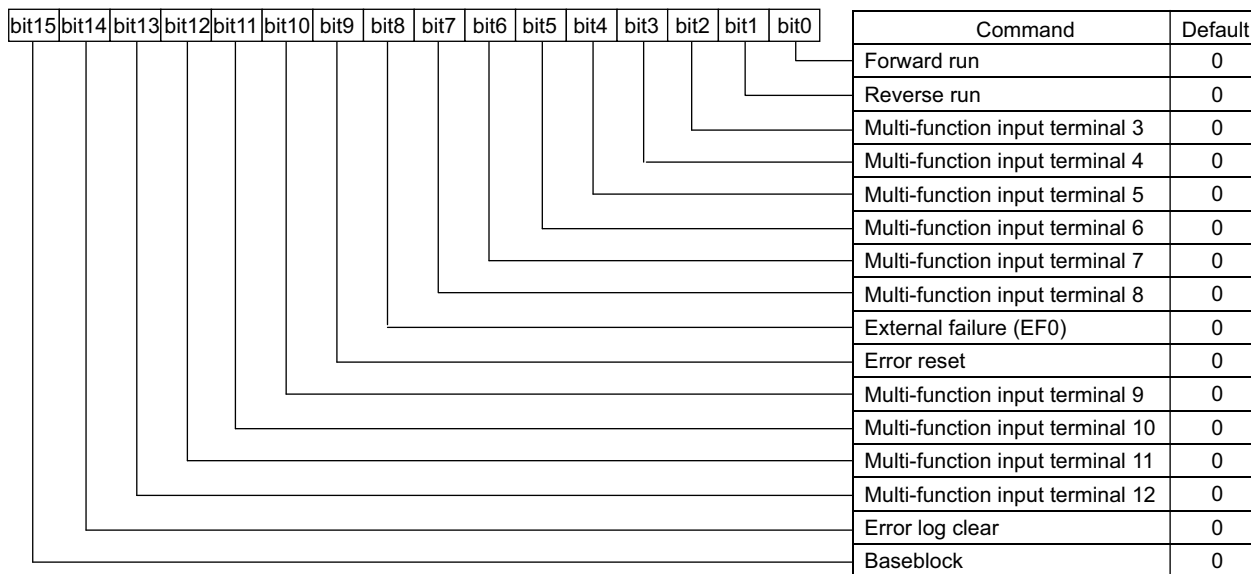
State	Value	Command
0	NA	Drive stop
1	NA	Drive run
FF (Default)	NA	Drive stop

After the power is turned ON, “*LLL*” is displayed at the Operator until data is received. Also, when a receive heartbeat time is set, a communications error is generated and “*bl5*” is displayed at the Operator if no data is received within that time period.

■ Drive Operation Commands (Drive Control Commands)

Input	SNVT_state nviOpCommands
Default:	0 0 0 0 0 0 0 0 0 0 0 0 0 0 0 0

These network variables can control operations such as Drive running and stopping.



There is a logical OR relationship between commands using these variables and other run command-related network variables and multi-function control terminals.

■ Drive Speed Setpoint Scaling (Drive Speed Scaling)

Input	SNVT_lev_percent nviDrvSpeedScale
Setting range	-163.840% to 163.830% (0.005%). 163.835% is taken as 100%.
Default	nciDrvSpeedScale set value
Related network variables, configuration properties	nciRcvHrtBt

This network variable is used for adjusting the motor rotation direction and speed.

Frequency reference = $nviDrvSpeedStpt$ (or $nviDrvSpeedfref$) \times $nviDrvSpeedScale$ \times $nciNmlfreq$

■ Drive Emergency (Drive Emergency Stop)

Input	SNVT_hvac_emerg nviEmergOverride
Setting range	0: Emergency stop clear 4: Emergency stop FF: Disabled
Default	FF

This network variable executes Drive emergency stops from the network. When an emergency stop is executed, “*EFB*” is displayed at the Drive.

■ Drive Fault Reset Command (Drive Error Reset)

Input	SNVT_switch nviFltRstCommand
Data range	value •• NA, state •• -1,0,1
Default	value •• 0, state •• - Errors are cleared in state1, and not in 0 or -1.

This network variable performs a reset from the network when an Drive error occurs.

■ Drive Energy Clear (Cumulative Power Value Clear)

Input	SNVT_switch nviDrvEnergyClr
Data range	value •• NA, state •• -1 (FFH),0,1
Default	value •• 0, state •• -1 (FFH) Accumulated power values are cleared in state1, and not in 0 or -1 (FFH).
Related network variables, configuration properties	nvoDrvEnergy, nciDrvEngylimit, nciEngyMinDelta

This network variable clears accumulated power values.

■ Drive Parameter Read (Drive Constant Read Request)

Input	SNVT_count nviReadParamNum
Data range	0000 to FFFFH
Default	0 For register numbers, refer to the Drive instruction manual.
Related network variables, configuration properties	nviWriteParamNum, nvoReadParamVal, nvoParamErr

This network variable is used to read Drive constants. Set the register number of the constant that is to be read. After the Drive receives the data, it sets the data for that register number in $nvoReadParamVal$ to be output.

■ Drive Parameter Write (Drive Constant Write Request)

Input	SNVT_count nviWriteParamNum
Data range	0000 to FFFFH
Default	0
Related network variables, configuration properties	nviReadParamNum, nvoWriteParamVal, nvoParamErr

This network variable is used to write drive constants. Set the register number of the constant that is to be written. Then set the changed data in nviWriteParamVal. After the Drive receives the data, it sets the data for that register number in nvoReadParamVal to be output.

Note: If no data is set in nviWriteParamVal within 30 seconds after this network variable has been set, an error code is stored in nvoParamErr and the data set in nviWriteParamNum is changed to 0.

■ Drive Parameter Write Data (Drive Constant Write Data)

Input	SNVT_count_inc nviWriteParamVal
Data range	-32,768 to 32,767
Default	0
Related network variables, configuration properties	nviReadParamNum, nvoWriteParamNum, nvoParamErr

This network variable is used to write drive constants. Set the constant data that is to be changed. After the Drive receives the new constant data, it makes the change and then sets the changed constant data in nvoReadParamVal to be output.

Run Command and Frequency Reference Combinations and Priority

The Drive provides multiple network variables for run commands and frequency references, but they can only be used one at a time. This section describes various combinations of network variables and their orders of priority.

- Network Variable Combinations for Run Commands and Frequency References

	Combination 1	Combination 2	Combination 3
Frequency (speed) reference	nviInvSetFreq	nviDrvSpeedStpt (value)	nviDrvSpeedFref
Run command	nviRunCommand	nviDrvSpeedStpt (state)	nviRunCommand

- Order of priority
Combination 1 > Combination 2 > Combination 3 (Default: All disabled)
- Precautions when Making the Settings
 - Combination 1
Set the network variables as follows:
nviDrvSpeedStpt (state) = FF
nviDrvSpeedRef = 7FFF
Do not execute binding for these network variables.
 - Combination 2
Set the network variables as follows:
nviInvSetFreq = 7FFF (default)
nviDrvSpeedRef = 7FFF (default)
nviRunCommand (state) = FF (default)
Do not execute binding for these network variables.
 - Combination 3
Set the network variables as follows:
nviDrvSpeedStpt (state) = FF
nviInvSetFreq = 7FFF
Do not execute binding for these network variables.

◆ VSD Output Network Variables

Name	Variable Type	Description
nvoDrvSpeed	SNVT_lev_percent	Drive Speed Feedback (%)
nvoRunStatus	SNVT_switch	Drive Run Status
nvoInvOutFreq	SNVT_freq_hz	Drive Output Frequency
nvoDrvCurrent	SNVT_amp	Drive Output Current
nvoDrvVolt	SNVT_volt	Drive Output Voltage
nvoDCBUS	SNVT_volt	Drive DC Voltage
nvoDrvPwr	SNVT_power_kilo	Drive Output Power
nvoDrvEnergy	SNVT_elec_kwh_1	Cumulative Drive Energy
nvoDrvRunHours	SNVT_time_hour	Drive Total Running Hours
nvoInvFault	SNVT_switch	Drive Fault Status
nvoInvAlarm	SNVT_switch	Drive Alarm Status
nvoReadParamVal	SNVT_count_inc	Drive Parameter Read Data
nvoParamErr	SNVT_count	Drive Parameter Error
nvoSpdStptFb	SNVT_lev_percent	Drive Speed Setpoint Feedback1
nvoSpdCmd	SNVT_lev_percent	Drive Speed Setpoint Feedback2
nvoDrvStatus	SNVT_state	Drive Status
nvoFltstatus1	SNVT_state	Drive Fault Status1
nvoFltstatus2	SNVT_state	Drive Fault Status2
nvoFltstatus3	SNVT_state	Drive Fault Status3
nvoEmergStatus	SNVT_hvac_emerg	Drive Emerg Status

■ Drive Speed Feedback (%) (Drive Speed Monitoring)

Output	SNVT_lev_percent nvoDrvSpeed
Data range	-163.840% to 163.830% (0.005%)
Service type	Default: Authentication type

This network variable outputs the Drive's output frequency as a percentage of the standard motor frequency.

Output Timing	Explanation
Event driven	Sent to network when data is changed.
nciSndHrtBt	When a send heartbeat time is set, the data is output within that time period.
nciMinOutTm	When a minimum output refresh time has been set, data that is changed during the specified time period is not output until that time period has elapsed.
nciFreqMinDelta	Output when the frequency is outside of the recently changed frequency range.

■ Drive Run Status (Drive Run Monitoring)

Output	SNVT_switch nvoRunStatus
Data range	State = 0
Service type	Default: Authentication type
Output timing	Event driven, nciSndHrtBt

This network variable monitors Drive run and stop status.

State	Value	Command
0	NA	Drive stopped
1	NA	Drive running
FF (Default)	NA	None

Output Timing	Explanation
Event driven	Sent to network when data is changed.
nciSndHrtBt	When a send heartbeat time is set, the data is output within that time period.

■ Drive Output Frequency (Drive Output Frequency Monitoring)

Output	SNVT_freq_hz nvoInvOutFreq
Data range	0 to 6553.4Hz (0.1Hz)
Service type	Default: Authentication type

This network variable outputs Drive output frequency.

Output Timing	Explanation
Event driven	Sent to network when data is changed.
nciSndHrtBt	When a send heartbeat time is set, the data is output within that time period.
nciMinOutTm	When a minimum output refresh time has been set, data that is changed during the specified time period is not output until that time period has elapsed.
nciFrefMinDelta2	Output when the frequency is outside of the recently changed frequency range.

■ Drive Output Current (Output Current Monitoring)

Output	SNVT_amp nvoDrvCurrent
Data range	0 to 3,276.6 A
Service type	Default: Authentication type

This network variable outputs Drive output current.

Output Timing	Explanation
Event driven	Sent to network when data is changed.
nciSndHrtBt	When a send heartbeat time is set, the data is output within that time period.
nciMinOutTm	When a minimum output refresh time has been set, data that is changed during the specified time period is not output until that time period has elapsed.

■ Drive Output Voltage (Output Voltage Monitoring)

Output	SNVT_volt nvoDrvVolt
Data range	0 to 3276.7 V (Unit: 0.1 V)
Service type	Default: Authentication type

This network variable outputs Drive output voltage.

Output Timing	Explanation
Event driven	Sent to network when data is changed.
nciSndHrtBt	When a send heartbeat time is set, the data is output within that time period.
nciMinOutTm	When a minimum output refresh time has been set, data that is changed during the specified time period is not output until that time period has elapsed.

■ Drive DC Voltage (DC Bus Voltage Monitoring)

Output	SNVT_volt nvoDCBus
Data range	0 to 3276.7 V (Unit: 0.1 V)
Service type	Default: Authentication type

This network variable outputs DC bus voltage.

Output Timing	Explanation
Event driven	Sent to network when data is changed.
nciSndHrtBt	When a send heartbeat time is set, the data is output within that time period.
nciMinOutTm	When a minimum output refresh time has been set, data that is changed during the specified time period is not output until that time period has elapsed.

■ Drive Output Power (Output Power Monitoring)

Output	network output SNVT_power_kilo nvoDrvPwr
Data range	0 to 6,553.4 kW (Unit: 0.1 kW)
Service type	Default: Authentication type

This network variable outputs Drive output power.

Output Timing	Explanation
Event driven	Sent to network when data is changed.
nciSndHrtBt	When a send heartbeat time is set, the data is output within that time period.
nciMinOutTm	When a minimum output refresh time has been set, data that is changed during the specified time period is not output until that time period has elapsed.

■ Cumulative Drive Energy (Cumulative Power Monitoring)

Output	SNVT_elec_kwh_l nvoDrvEnergy
Cumulative period	100 ms ± 10% (Varies slightly depending on the amount of data sent and received in the network.)
Data range	0 to 429,496,729.4 kwh (Unit: 0.1 kwh)
Service type	Default: Authentication type
Related network variables, configuration properties	nviDrvEnergyClr, nciDrvEngylimit, nciEngyMinDelta

This network variable outputs Drive cumulative power.

Cumulative power value = Previous cumulative power value + [Present output power data × (Present output power value acquire time – Previous output power value acquire time)]

Output Timing	Explanation
Event driven	Sent to network when data is changed.
nciSndHrtBt	When a send heartbeat time is set, the data is output within that time period.
nciMinOutTm	When a minimum output refresh time has been set, data that is changed during the specified time period is not output until that time period has elapsed.
nciEngyMinDelta	Output when changed outside of fixed change range.

NOTICE: Do not use this monitoring for accounting system etc as it is used to calculate the charges for power.

■ Drive Total Running Hours (Total Running Hours Monitoring)

Output	SNVT_time_hour nvoDrvRunHours
Data range	0 to 65,534 hours (Unit: 1 hour) The data is invalid when set to FFFF = 65,535 hours.
Service type	Default: Authentication type

This network variable outputs the Drive's accumulated running time.

Output Timing	Explanation
Event driven	Sent to the network when the data is changed by more than 1 hour.

■ Drive Fault Status (Drive Fault Monitoring)

Output	SNVT_switch nvoInvFault
Default	state = FF
Service type	Default: Authentication type

This network variable is used to monitor Drive fault status.

State	Value	Command
0	NA	Drive normal (after fault cleared)
1	NA	Drive fault occurring
FF (Default)	NA	Drive normal (from turning ON power until fault occurs)

Output Timing	Explanation
Event driven	Sent when fault occurs and when fault is cleared.

◆ Drive Alarm Status (Drive Alarm Monitoring)

Output	SNVT_switch nvoInvAlarm
Default	state = FF
Service type	Default: Authentication type

This network variable is used to monitor Drive alarm status.

State	Value	Command
0	NA	Drive normal (after alarm cleared)
1	NA	Drive alarm occurring
FF (Default)	NA	Drive normal (from turning ON power until alarm occurs)

Output Timing	Explanation
Event driven	Sent when alarm occurs and when alarm is cleared.

■ Drive Parameter Read Data (Drive Constant Read Data)

Output	SNVT_count_inc nvoReadParamVal
Data range	-32,768 to 32,767
Default	0
Related network variables, configuration properties	nviReadParamNum, nviWriteParamNum, nviWriteParamVal

This network variable is used for setting and outputting data for constant numbers requested by nviReadParamNum.

Output Timing	Explanation
Event driven	The constant data is sent after normal reception of nviReadParamNum.

■ Drive Parameter Error (Drive Constant Access Error)

Output	SNVT_count nvoParamErr
Related network variables, configuration properties	nviReadParamNum, nviWriteParamNum, nviWriteParamVal

An error code is set at this network variable when inappropriate data is set for nviReadParamNum, nviWriteParamNum, or nviWriteParamVal, or when an Drive constant access-related error occurs.

Table 5 Error Codes

Error Code	Explanation
0 (00H)	Normal
2 (02H)	Invalid register number <ul style="list-style-type: none"> An attempt was made to access a non-existent register number.
33 (21H)	Data setting error <ul style="list-style-type: none"> A simple upper limit or lower limit error has occurred in the control data or when writing constants. When writing constants, the constant setting was invalid.
34 (22H)	Write mode error <ul style="list-style-type: none"> An attempt was made to change a constant during operation. An attempt was made to write read-only data.
35 (23H)	Writing during main circuit undervoltage (UV) error <ul style="list-style-type: none"> An attempt was made to change a constant during a UV (main circuit undervoltage) alarm.
36 (24H)	An attempt was made to change a constant while it was being processed at the Drive.
255 (FFH)	Command input time over <ul style="list-style-type: none"> More than 30 seconds elapsed at the input interval for nvoWriteParamNum or nvoWriteParamVal.

Output Timing	Explanation
Event driven	Constant data is sent after normal reception of nviReadParamNum.

■ Drive Speed Setpoint Feedback 1 (Drive Speed Reference Monitor 1)

Output	SNVT_lev_percent nvoSpdStptFb
Default	0 to 163.830% (0.005%)
Service type	Default: Authentication type

This network variable sets and outputs speed reference values from the network.

Output Timing	Explanation
Event driven	Constant data is sent after normal reception of nviReadParamNum.

■ Drive Speed Setpoint Feedback 2 (Drive Speed Reference Monitor 2)

Output	SNVT_lev_percent nvoSpdCmd
Default	0 to 163.835% (0.005%)
Service type	Default: Authentication type

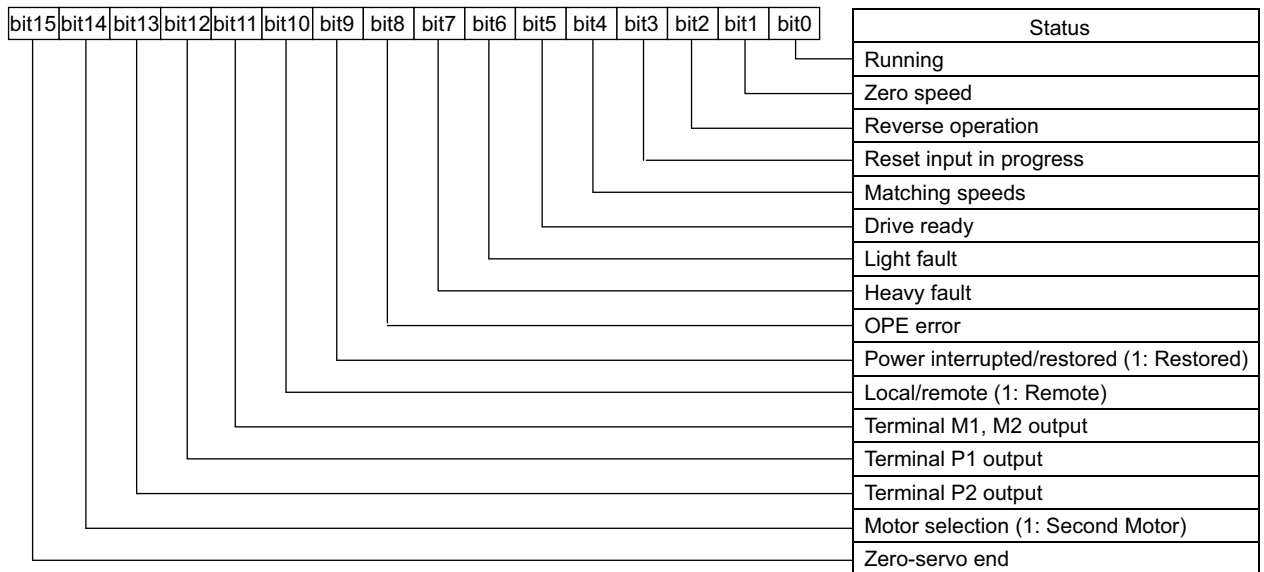
This network variable sets and outputs speed reference values that are set for the Drive. It outputs reference values from the places that have frequency reference rights (i.e., external terminals, Operator, or communications).

Output Timing	Explanation
Event driven	Constant data is sent after normal reception of nviReadParamNum.

■ Drive Status (Drive Status Monitoring)

Output	SNVT_state nvoDrvStatus
Service type	Default: Authentication type

This network variable is used to output Drive status.

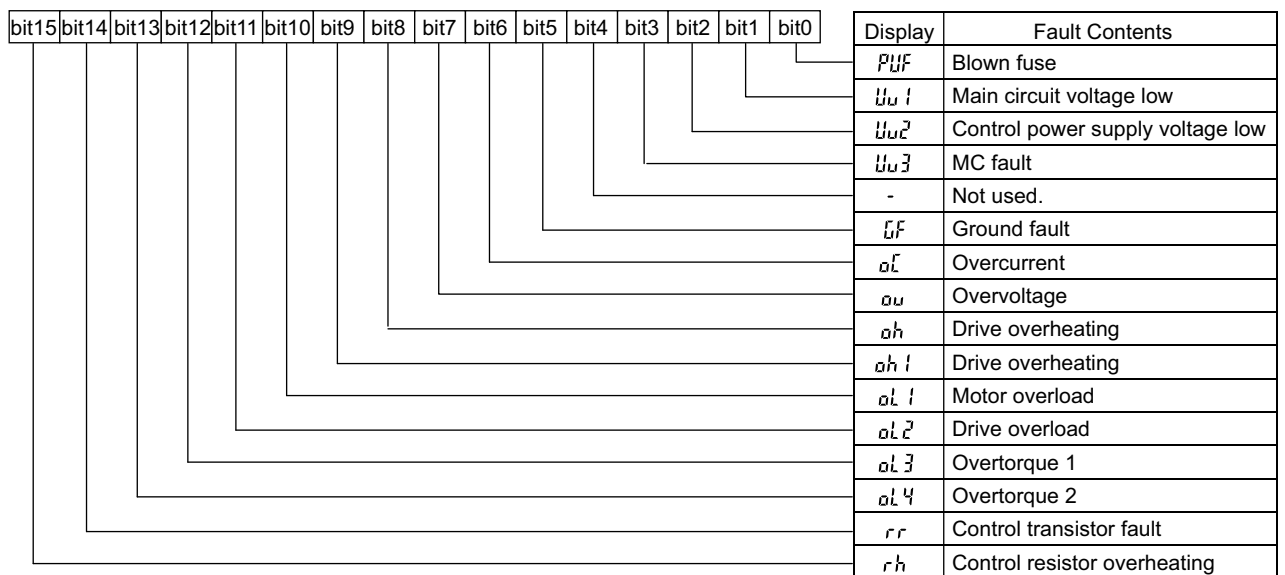


Output Timing	Explanation
Event driven	Sent when status is changed.

■ Drive Fault Status 1 (Drive Fault Status Monitor 1)

Output	SNVT_state nvoFltStatus1
Service type	Default: Authentication type

This network variable is used to output Drive fault status.

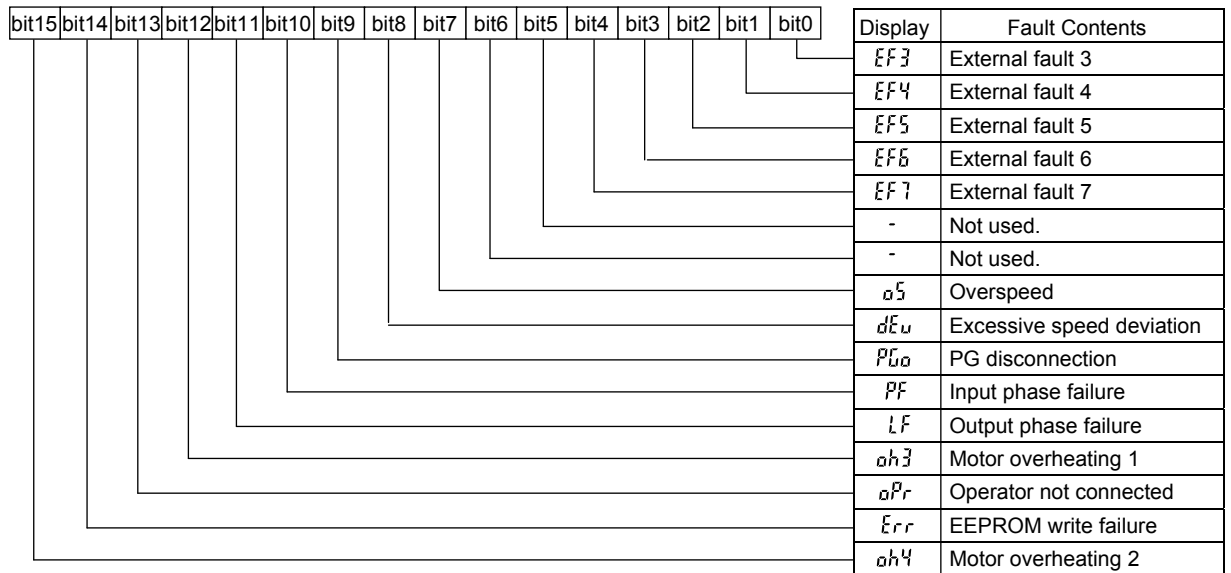


Output Timing	Explanation
Event driven	Sent when any of the above faults occurs.

■ Drive Fault Status 2 (Drive Fault Status Monitor 2)

Output	SNVT_state nvoFltStatus2
Service type	Default: Authentication type

This network variable is used to output Drive fault status.

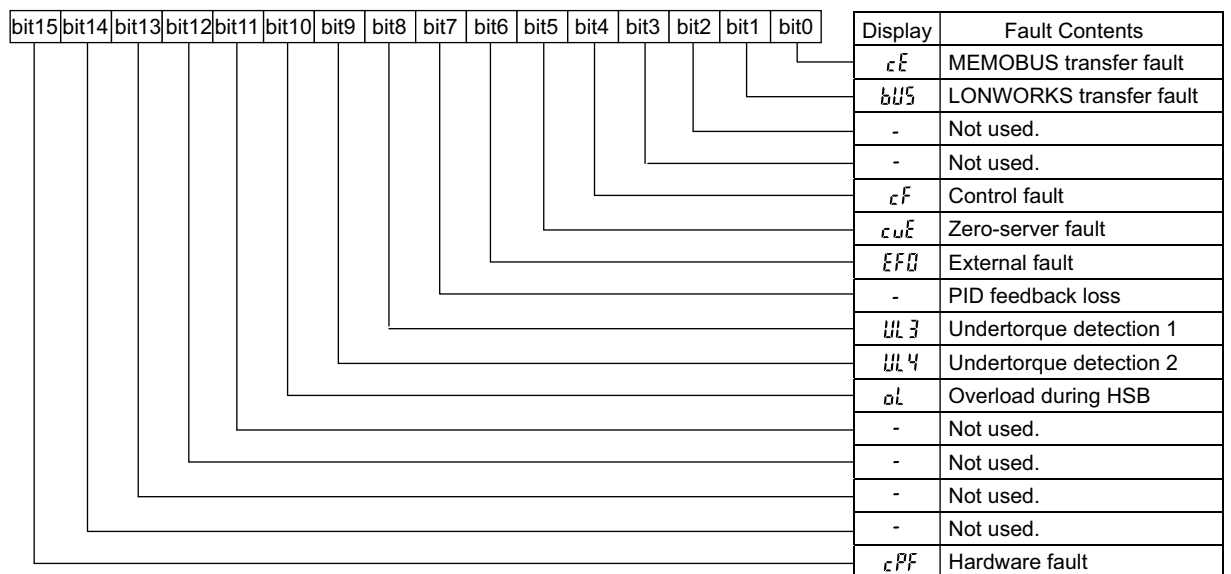


Output Timing	Explanation
Event driven	Sent when any of the above faults occurs.

■ Drive Fault Status 3 (Drive Fault Status Monitor 3)

Output	SNVT_state nvoFltStatus3
Service type	Default: Authentication type

This network variable is used to output Drive fault status.



Output Timing	Explanation
Event driven	Sent when any of the above faults occurs.

■ Drive Emerg Status (Drive Emergency Stop Status)

Output	SNVT_hvac_emerg nvoEmergStatus
Default	State = FF
Service type	Default: Authentication type

This network variable monitors Drive run and stop status.

Data	Name	Explanation
0	EMERG_NORMAL	Normal
4	EMERG_SHUTDOWN	Emergency stop
FF (Default)	EMERG_NUL	–

Output Timing	Explanation
Event driven	Sent when any of the above heavy faults occurs.

◆ Setting Drive Constants from the Network

■ Reading Drive Constants

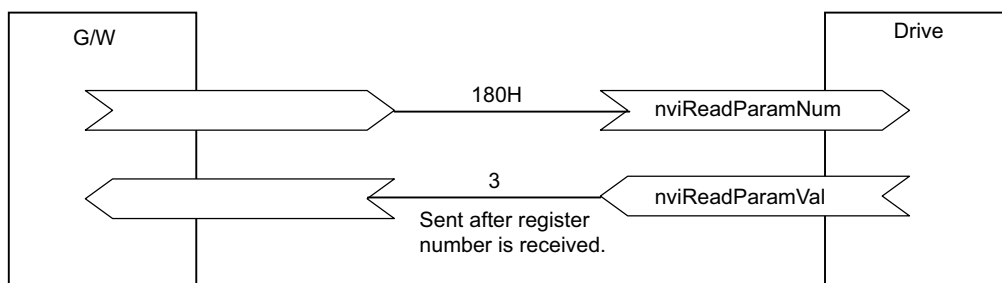
1. Set to nviReadParamNum, in hexadecimal, the register number of the Drive constant that is to be read.
2. When the nviReadParamNum data is refreshed, the Drive will set the data contents of the applicable Drive constant in nvoReadParamVal for output.
3. If invalid data is set in nviReadParamNum due to, for example, the register number for a non-existent Drive constant being specified, an error code will be set in nvoParamErr for output. (Refer to *Drive Parameter Error (Drive Constant Access Error)* on page 32.)

Example: Reading the Setting for b1-01 (Reference Selection)

Conditions

Frequency selection (b1-01): 180H

b1-01 setting: 3 (Communications)



Use the MEMOBUS register number listed on the Drive instructions for the Drive constant.

■ Writing Drive Constants

1. Set to nviWriteParamNum, in hexadecimal, the register number of the Drive constant that is to be changed.
2. Enter the settings in nviWriteParamVal. (If the nviWriteParamVal data is not received within 30 seconds after the nviWriteParamNum data is received, the Drive will discard the nviWriteParamNum data.)
3. When the Drive receives nviWriteParamNum and nviWriteParamVal, it processes the Drive constant change. When the change is completed normally, the changed data is then set in nvoReadParamVal for output.
4. If the settings cannot be changed due to, for example, the register number for a non-existent Drive constant being specified, an error code will be set in nvoParamErr for output. (Refer to *Drive Parameter Error (Drive Constant Access Error)* on page 32.)

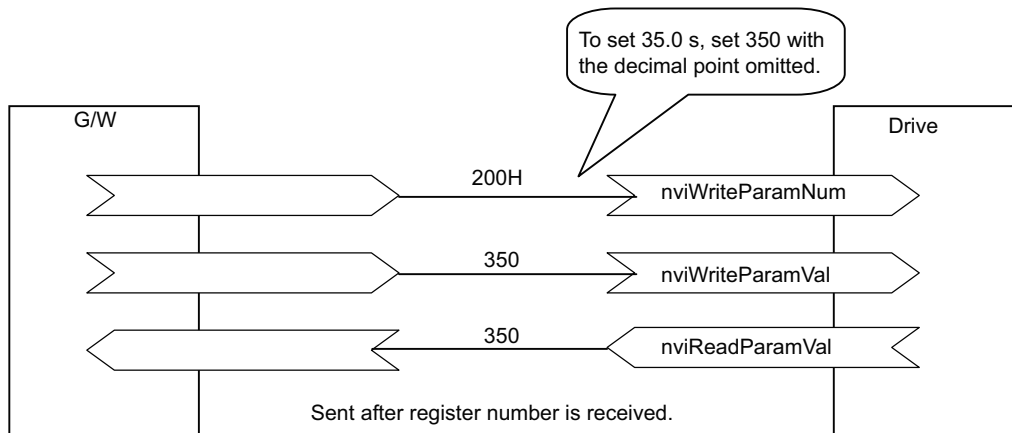
NOTICE: Sending data to nviWriteParamNum and nviWriteParamVal must be done in the order described in 1 and 2 above. If the order is reversed, the intended settings will not be made and unintended settings may be made instead.

Example: Changing the C1-01 (Ramp Up Time) Setting

Condition:

Ramp up time (C1-01): 200H

C1-01 setting: Changed from 10.0 s to 35.0 s.



Note: Refer to *Table 5* for error codes.

9 Drive Configuration Properties

◆ Drive Related Network Configuration Properties

Table 6 Drive Configuration Properties

Name	Variable Type	Description
nciMaxSpeed	SNVT_lev_percent	Maximum Motor Speed
nciMinSpeed	SNVT_lev_percent	Minimum Motor Speed
nciSndHrtBt	SNVT_time_sec	Send Heartbeat Time
nciNmlSpeed	SNVT_rpm	Nominal Motor Speed in RPM (Motor Rated Rotation Frequency)
nciNmlFreq	SNVT_freq_hz	Nominal Motor Frequency (Motor Rated Frequency)
nciRampUpTm	SNVT_time_sec	Drive Ramp Up Time (Drive Acceleration Time)
nciRampDownTm	SNVT_time_sec	Minimum Ramp Down Time (Minimum Deceleration Time)
nciRcvHrtBt	SNVT_time_sec	Receive Heartbeat Time
nciMinOutTm	SNVT_time_sec	Minimum Send Time
nciLocation	SNVT_str_asc	Location Label
nciPwupOutTm	SNVT_time_sec	Power delay Timer
nciFreqMinDelta1	SNVT_lev_percent	Output Frequency Monitor Minimum Change Range Setting 1
nciFreqMinDelta2	SNVT_freq_hz	Output Frequency Monitor Minimum Change Range Setting 2
nciDrvSpeedScale	SNVT_lev_percent	nviDrvSpeedScale Default
nciInvSetFreq	SNVT_freq_hz	nviInvSetFreq Default
nciDrvSpeedRef	SNVT_lev_percent	nviDrvSpeedRef Default
nciDrvEngylimit	SNVT_elec_kwh_l	Cumulative Power Monitor Upper Limit: nciDrvEngylimit
nciEngyMinDelta	SNVT_elec_kwh_l	Cumulative Power Monitor Minimum Change Range Setting
nciOpMode	SNVT_count	Reference Selection Mode
nciDrvRunMode	SNVT_switch	Run Command Status Mode

■ Maximum Motor Speed

Network input config	SNVT_lev_percent nciMaxSpeed
Setting range	0.000 to 110.000%
Default	100.000%
SCPT Reference	SCPTmaxSetpoint (50)

Set the motor frequency reference upper limit with the maximum output frequency (E1-04) taken as 100%. This value will be saved in Drive constant d2-01 (frequency reference upper limit). It will not be saved during operation.

Set the minimum speed and the maximum speed as follows:

$$0 \leq \text{minimum speed} \leq \text{maximum speed} \leq 110.000$$

■ Minimum Motor Speed

Network input config	SNVT_lev_percent nciMinSpeed
Setting range	0 to 40.000%
Default	0%
SCPT Reference	SCPTminSetpoint (53)

Set the motor frequency reference lower limit with the maximum output frequency (E1-04) taken as 100%. This value will be saved in Drive constant d2-02 (frequency reference lower limit).

Set the minimum speed and the maximum speed as follows:

$$0 \leq \text{minimum speed} \leq \text{maximum speed} \leq 110.000$$

■ Send Heartbeat Time

Network input config	SNVT_time_sec nciSndHrtBt
Setting range	0.0 to 6,553.5 s (0.1 s) 6,553.5 s is handled as 0 s.
Default	0 (Invalid)
SCPT Reference	SCPTmaxSendTime (49)

Set the scheduled output time for the output network variable. When this setting is made, the monitor data is output in fixed cycles.

■ Nominal Motor Speed in RPM (Motor's Rated Rotation Frequency)

Network input config	SNVT_rpm nciNmlSpeed
Setting range	0 to 65,534 min ⁻¹ (1min ⁻¹)
Default	1800 min ⁻¹
SCPT Reference	SCPTnomRPM (158)

Set the motor's rated rotation frequency.

■ Nominal Motor Frequency (Motor's Rated Frequency)

Network input config	SNVT_freq_hz nciNmlFreq
Setting range	0 to 100 Hz (1 Hz)
Default	60 Hz
SCPT Reference	SCPTnomFreq (159)

Set the motor's rated frequency.

■ Drive Ramp Up Time (Drive Acceleration Time)

Network input config	SNVT_time_sec nciRampUpTm
Setting range	0.0 to 6,000.0 s (0.1 s)
Default	10.0 s
SCPT Reference	SCPTrampUpTm (160)

Set the motor ramp up time. This value is saved in the Drive constant C1-01.

■ Minimum Ramp Down Time (Minimum Deceleration Time)

Network input config	SNVT_time_sec nciRampDownTm
Setting range	0.0 to 6000.0 s (0.1 s)
Default	10.0 s
SCPT Reference	SCPTrampDownTm (161).14

Set the motor ramp down time. This value is saved in the Drive constant C1-02.

■ Receive Heartbeat Time

Network input config	SNVT_time_sec nciRcvHrtBt
Setting range	0.0 to 6,553.4 s (0.1 s) If the set value is 0, no communications error "bUS" is detected.
Default	0 (Invalid)
SCPT Reference	SCPTmaxRcvTime (48)

Set the maximum reception interval for nviDrvSpeedStpt. A communications error "bUS" will be displayed if data is not received within this set time period.

■ Minimum Send Time

Network input config	SNVT_time_sec nciMinOutTm
Setting range	0.0 to 6,553.4 s (0.1 s) When the set value is 0, monitor data output is event driven.
Default	0.5 s
SCPT Reference	SCPTminSendTime (52)

Set the minimum output time for monitor data. The monitor data will be output after the set time has elapsed following a change to the data.

■ Location Label

Network input config	SNVT_str_asc nciLocation
Setting range	0 to 31 bytes
Default	¥0 (Null)
SCPT Reference	SCPT_location (17)

Information regarding the physical position of a node can be set separately from the neuron ID (6 bytes).

■ Power Delay Timer

Network input config	SNVT_time_sec nciPwUpOutTm
Setting range	0 to 65534 (1 s)
Default	FFFF (Invalid)
SCPT Reference	SCPT_Pwrupdelay (72)

Set the delay time from when the power is turned ON until network variable output is started.

■ Output Frequency Monitor Minimum Change Range Setting 1

Network input config	SNVT_lev_percent nciFreqMinDelta1
Setting range	-163.840% to 163.830 (0.005%) If the set value is 7FFF, it is set as invalid data.
Default	0%
SCPT Reference	SCPTdefScale (162)

Set the minimum output change range for nvoDrvSpeed.

Set the value for when the power is turned ON.

■ Output Frequency Monitor Minimum Change Range Setting 2

Network input config	SNVT_freq_hz nciFreqMinDelta2
Setting range	0.0 to 400.0 (Hz) If the set value is 7FFF, it is set as invalid data.
Default	7FFF (Invalid)

Set the minimum output change range for nvoInvOutFreq.

■ nviDrvSpeedScale Default

Network input config	SNVT_lev_percent nciDrvSpeedScale
Setting range	-163.840% to 163.835 (0.005%) If the set value is 7FFF = +163.835%, it is set as invalid data.
Default	100.00%
SCPT Reference	SCPTdefScale (162)

Set the value for nviDrvSpeedScale for when the power is turned ON.

■ **nviInvSetFreq Default**

Network input config	SNVT_freq_hz nciInvSetFreq
Setting range	0.0 to 6553.5 (Hz) If the set value is FFFF, it is set as invalid data.
Default	3276.7 (7FFF)FFFF (Invalid)
SCPT Reference	SCPTdefScale (162)

Set the value for nviInvSetFreq for when the power is turned ON.

■ **nviDrvSpeedRef Default**

Network input config	SNVT_lev_percent nciDrvSpeedRef
Setting range	-163.840% to 163.835 (0.005%) If the set value is 7FFF = +163.835%, it is set as invalid data.
Default	7FFF (Invalid)

Set the value for nviDrvSpeedRef for when the power is turned ON.

■ **Cumulative Power Monitor Upper Limit**

Network input config	SNVT_elec_kwh_l nciDrvEngylimit
Setting range	-214,748,364.8 to 214,748,364.6 kwh
Invalid value	0x7FFFFFFF (214,748,364.7) If the set value is invalid, the nvoDrvEnergy value accumulates until the maximum value. If the set value is for less than 0, it is treated as 0 and the cumulative power value does not accumulate.
Default	0x7FFFFFFF (214,748,364.7) (Invalid)

Set the cumulative power monitor (nvoDrvEnergy) upper limit. When the cumulative power monitor value exceeds this set value, the accumulation will start over from 0. (Example: If the set value is 1,000.0, the next number after 999.9 will be 0.)

■ **Cumulative Power Monitor Minimum Change Range Setting**

Network input config	SNVT_elec_kwh_l nciEngyMinDelta
Setting range	-214,748,364.8 to 214,748,364.6 kwh
Valid range	0.1 to 214,748,364.6 No value greater than nvoDrvEngylimit can be set. If nciDrvEngylimit nciEngyMinDelta, the data will be ignored and the set value will not be changed.
Default	Invalid value

Set the minimum change range for the output from the cumulative power monitor (nvoDrvEnergy).

■ **Reference Selection Mode**

Network input config	SNVT_count nciOpMode
----------------------	----------------------

Run command and frequency reference rights can be selected and switched from the network. The selection can be changed as shown below by setting nciOpMode (default: 0) from 0 to 3.

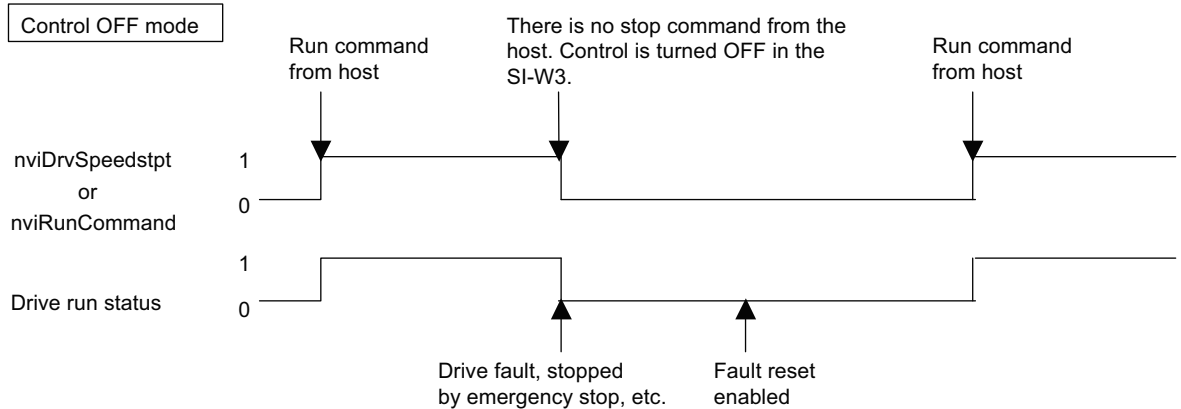
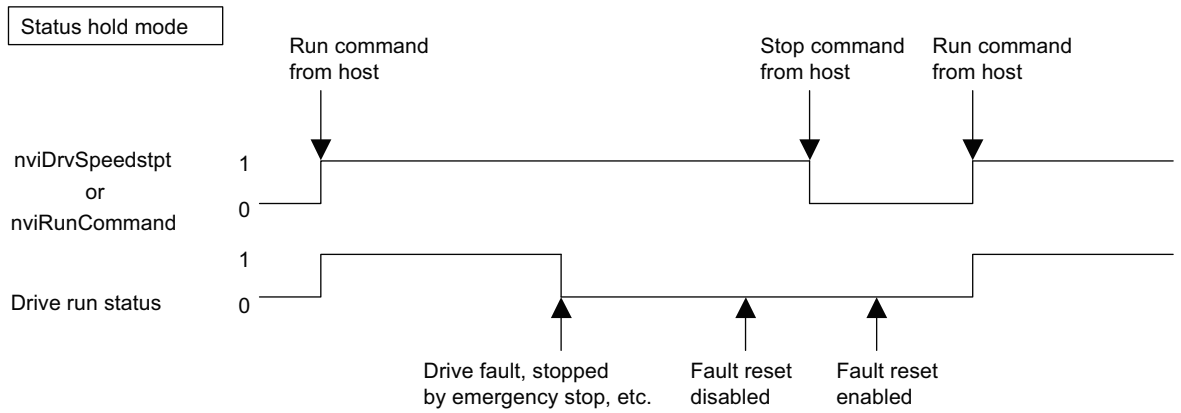
nciOpMode Set Value	0 (Default)	1	2	3
Reference selection	b1-01 set value	Communications	b1-01 set value	Communications
Operation method selection	b1-02 set value	b1-02 set value	Communications	Communications

■ Run Command Status Mode

Network input config	SNVT_switch nciDrvRunMode
Default	State = 0 x FF

If the Drive is stopped during operation for some reason other than a stop command from the network, determine whether the run command is to be forced OFF in the SI-W3 from communications or whether the run command status is to be held as is.

State	Value	Command
0	NA	Status hold
1	NA	OFF
FF (Default)	NA	Status hold



10 Troubleshooting

◆ Drive-Side Error Codes

Table 7 lists the various option-related fault codes. Refer to the drive Technical Manual for further information about fault codes.

■ Faults

Both bUS (Option Communication Error) and EF0 (External Fault Input from the option) can appear as either an alarm or as a fault. When a fault occurs, the digital operator ALM LED remains lit. When an alarm occurs, the digital operator ALM LED flashes.

Check the following items first when an error code occurs on the drive:

- Communication cable connections
- Make sure the option is properly installed to the drive
- Did a momentary power loss interrupt communications?

Table 7 Fault Displays, Causes, and Possible Solutions

Digital Operator Display		Fault Name
bUS	bUS	Option Communication Error
		The connection was lost after establishing initial communication. Only detected when the run command frequency reference is assigned to the option (bl-01 = 3 or bl-02 = 3).
Cause		Possible Solution
Network has stopped communicating		Check for faulty wiring.
Communication cable is not connected properly		Correct any wiring problems.
A data error occurred due to noise		<ul style="list-style-type: none"> • Counteract noise in the control circuit wiring, main circuit lines, and ground wiring. • If a magnetic contactor is the noise source, install a surge absorber to the contactor coil. • Use only the LONWORKS network cables. Ground the shield on the controller side and on the option side.
Option is damaged		If there are no wiring problems and the fault continues to occur, replace the option.
Connection timeout		The option Receive Heart Beat timer timed out. Make sure that Receive Heart Beat time is set properly. Check the option connection and communication signal.
Digital Operator Display		Fault Name
EF0	EF0	External Fault Input from the option
		The alarm function for an external device has been triggered.
Cause		Possible Solution
An external fault is being sent from the network		<ul style="list-style-type: none"> • Remove the cause of the external fault • Reset the external fault input from the network
Problem with the network program		Check the program used by the network and make the appropriate corrections.
Digital Operator Display		Fault Name
oFA00	oFA00	Non-Compatible Option connected to drive port CN5-A
		Option is not properly connected.
Cause		Possible Solution
Non-compatible option connected to drive port CN5-A		Use only compatible options. Connect the SI-W3 to CN5-A. For other option connections refer to the Installation Manual for those options.
Digital Operator Display		Fault Name
oFA01	oFA01	Option Fault (CN5-A)
		Option is not properly connected.
Cause		Possible Solution
Problem with the connector between the drive and option		Turn the power off and check the connectors between the drive and option.

10 Troubleshooting

Digital Operator Display		Fault Name
<i>oFA30</i> to <i>oFA43</i>	oFA30 to oFA43	Option Fault (CN5-A) Communication ID error.
Cause		Possible Solution
Option hardware fault		Replace the option. Contact Yaskawa for assistance.
Digital Operator Display		Fault Name
<i>oFb00</i>	oFb00	Non-Compatible Option connected to drive port CN5-B Non-compatible option is connected.
Cause		Possible Solution
Non-compatible option connected to drive port CN5-B		Use only compatible options. Connect the SI-W3 to CN5-A. For other option connections refer to the Installation Manual for those options.
Digital Operator Display		Fault Name
<i>oFb02</i>	oFb02	Option Fault (CN5-B) Two of the same option are connected simultaneously.
Cause		Possible Solution
Options AI-A3 or DI-A3 connected to the CN5-B port while an option was connected to CN5-A		Only one of these options, AI-A3, DI-A3 or SI-□□ option can be connected to the drive at the same time. The SI-W3 must be connected to CN5-A.
Digital Operator Display		Fault Name
<i>oFc00</i>	oFc00	Non-Compatible Option connected to drive port CN5-C Non-compatible option is connected.
Cause		Possible Solution
Non-compatible option connected to port CN5-C		Use only compatible options. Connect the SI-W3 to CN5-A. For other option connections refer to the Installation Manual for those options.
Digital Operator Display		Fault Name
<i>oFc02</i>	oFc02	Option Fault (CN5-C) Two of the same options are connected simultaneously.
Cause		Possible Solution
Options AI-A3 or DI-A3 connected to the CN5-C port while an option was connected to CN5-A		Only one of these options, AI-A3, DI-A3 or SI-□□ option can be connected to the drive at the same time. The SI-W3 must be connected to CN5-A.

■ Minor Faults and Alarms

Digital Operator Display		Minor Fault Name	
<i>CALL</i>	CALL	Serial Communication Transmission Error Communication has not yet been established.	
Cause		Possible Solution	Minor Fault (H2-□□ = 10)
Communication wiring or terminal resistor connection is faulty. There is a short circuit, or an option component is not connected properly		Check for wiring errors and correct the wiring. Remove any ground shorts and reconnect loose wires.	Yes
Network programming error		Check communications at start-up and correct programming errors.	
Damaged communication circuitry		Cycle power to the drive and replace the drive if the fault continues to occur.	

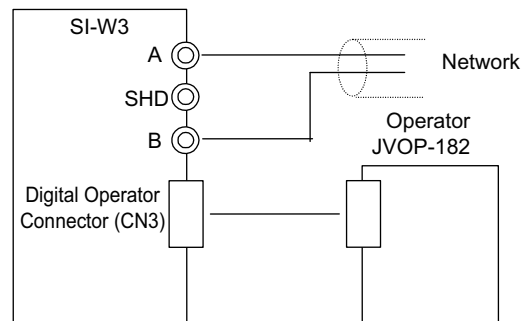
11 Function Modules

◆ Functions

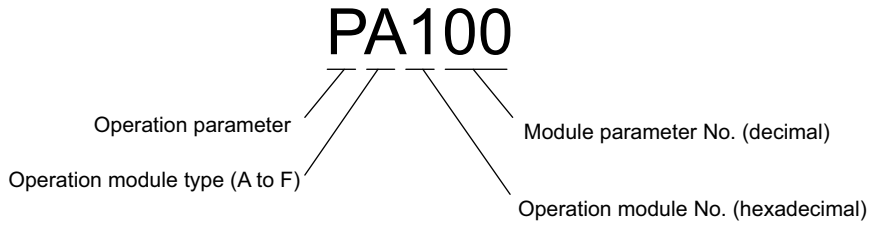
A Digital Operator JVOP-182 is required to use the functions described in this chapter. The digital operator JVOP-180 is not compatible.

Do not turn off the power to the drive for at least 10 seconds after setting the functions with the digital operator. Initialize the bind data when EEP error occurs.

◆ Connection of Digital Operator



◆ Digital Operator Display



Option card in online status



Option card in offline status



Network in unconfigured status



Option card in standby status for communications



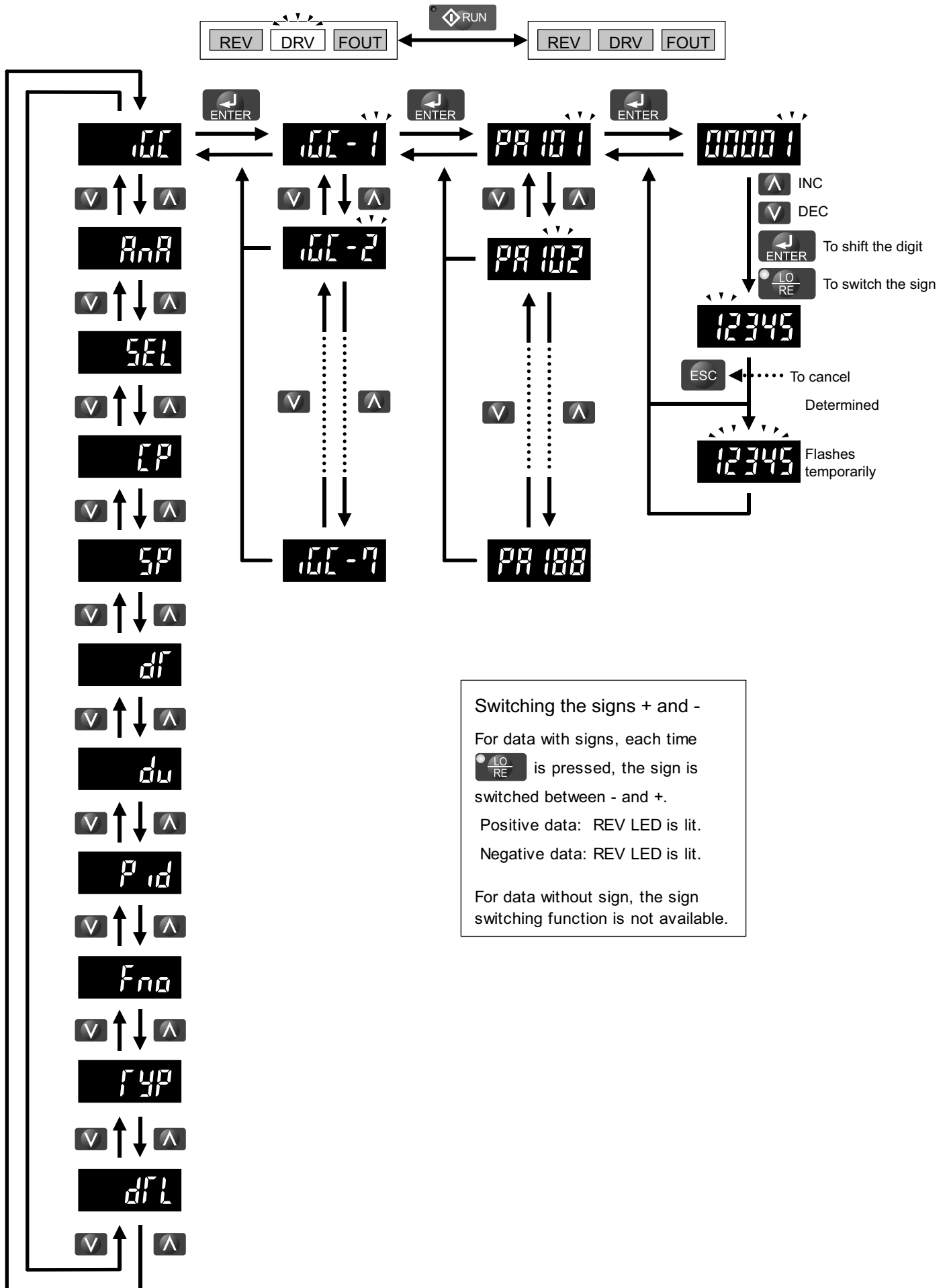
Option card in error status



Option card in communications error status

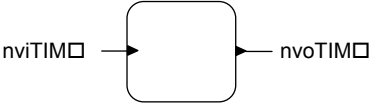
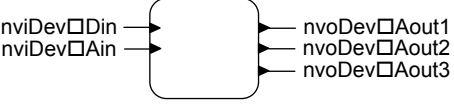
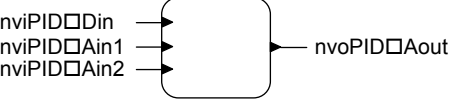
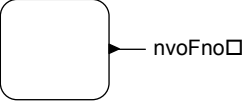
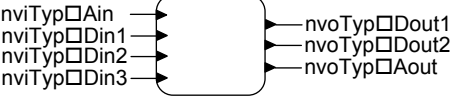
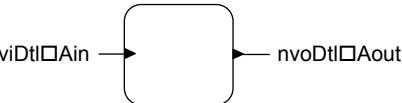


EEPROM error



◆ List of Functions

Name	Display	Parameter	Function Image	Explanation	Default	Register Number
Logic Operation	LgC-□□: 0 to 7 No. of modules: 8	PA000 to PA100		The following operation modes can be selected by setting PA□□00. <ul style="list-style-type: none"> • 0: AND • 1: OR • 2: Inversion (INV) • 3: Reverse 	1	1001H to 1008H
Analog Operation	ANA-□□: 0 to 9 No. of modules: 10	Pb000 to Pb928		The following operation modes can be selected by setting Pb□□02. <ul style="list-style-type: none"> • 0: Ratio/Bias (R/B) • 1: Analog scheduler (ANA/SCH) • 2: Variation ratio limiter (LIM) • 3: Primary delay filter (FIL) 	1	1110H to 1209H
Selection Operation	SEL-□□: 0 to 7 No. of modules: 8	PC000 to PC701		The following operation modes can be selected by setting PC□01. <ul style="list-style-type: none"> • 0: State data based select (SEL) The data of either nviSEL□Ain1 or nviSEL□Ain2 is output according to the state data of nviSEL□Din. • 1: High select (Hi) The larger of two values is output. • 2: Low select (Lo) The smaller of two values is output. 	1	120AH to 1219H
Comparison Operation	Cp-□□: 0 to 7 No. of modules: 8	Pd000 to Pd702		The following operation modes can be selected by setting Pd□01. <ul style="list-style-type: none"> • 0: Forward operation The output turns ON when $nviCMP□Ain1 \geq nviCMP□Ain2$. • 1: Reversed operation The output turns ON when $nviCMP□Ain1 \leq nviCMP□Ain2$. 	0	121AH to 1231H
Step Output Operation	SP-□□: 0 No. of modules: 1	PE000 to PE018		The following operation modes can be selected by setting PE□01. <ul style="list-style-type: none"> • 0: First In Last Out (FILO) The outputs nvoStep□Dout1 through 4 turn ON or OFF according to the value of nviStep□Ain in FILO order. • 1: First In First Out (FIFO) The output nvoStep□Dout1 through 4 turn ON or OFF according to the value of nviStep□Ain in FIFO order. 	0	1232H to 123CH

Name	Display	Parameter	Function Image	Explanation	Default	Register Number
Delay Timer	dt-□□: 0 and 1 No. of modules: 2	PF000 to PF104		The following operation modes can be selected by setting PF□00. <ul style="list-style-type: none"> • 0: ON delay The output nvoTIM□ turns ON when the set time period has passed after the input nviTIM□ turned ON. • 1: OFF delay The output nvoTIM□ turns OFF when the set time period has passed after the input nviTIM□ turned OFF. 	0	123DH to 1244H
Deviation Output Operation	dv-□□: 0 No. of modules: 1	PG000 to PG013		The following operation modes can be selected by setting PG□01. <ul style="list-style-type: none"> • 0: Outputs with 3 deviations Three data with the bias set in the data of nviDev□Ain are output. • 1: Outputs with 2 deviations Two data with the bias set in the data of nviDev□Ain are output. 	0	1245H to 124AH
PID	pid-□□: 0 to 3 No. of modules: 4	Ph000 to Ph305		The following operation modes can be selected by setting PH□01. <ul style="list-style-type: none"> • 0: Forward operation PI control on forward operation using the input feedback nviPID□Ain1. • 1: Reverse operation PI control on reversed operation using the input feedback nviPID□Ain1. 	0	124BH to 1266H
Constant Output	fno-□□: 0 to 5 No. of modules: 6	PJ000 to PJ501		The data set in the parameter PJ□01 is output.	0	1267H to 1272H
Variable Type Conversion	typ-□□: 0 to 3 No. of modules: 4	PL000 to PL320		The following operation modes can be selected by setting PL□02. <ul style="list-style-type: none"> • 0: ANA → ANA • 1: ANA → DIG • 2: DIG → ANA 	0	1273H to 12BAH
Save Data	dtl-□□: 0 to 3 No. of modules: 4	Po000 to Po300		The data is saved in EEPROM when inputting data. The saved data will not be cleared whenever the power turns OFF.	0	12BBH to 12BEH

■ Items Common to Functions

Sending Data

- Each Function Module outputs a response data according to its own function using an output network variable after receiving an input network variable.
- The output method of output network variables for each module can be changed using the common configuration properties nciAoutMinOutTm and nciAoutSendHrtBt, and the minDelta prepared at each module.

Configuration Properties Common to All Function Modules

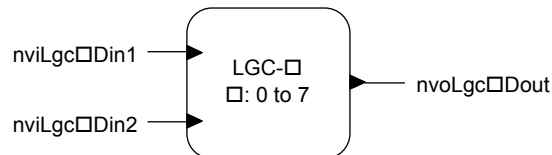
Configuration Property	Explanation	Applicable NVs
nciAoutMinOutTm	Sets a minimum output time of analog data. An analog data is output after the set time period has passed following a change in the data.	ANA data of each Function
nciAoutSendHrtBt	Sets a cycle time to output an analog data. Analog data are output in the set cycle time.	ANA data of each Function
nciDoutSendHrtBt	Sets a cycle time to output the output network variables whose variable type is SNVT_switch. DIG data are output in the set cycle time.	DIG data of each Function

Configuration Properties for Each Function Module

Configuration Property	Explanation	Applicable Function
nciPID0MinDelta to nciPID3MinDelta	Sets an minimum delta of analog data.	PID Function

◆ Logic Operation Function

■ Function Block Image



Number of modules: 8 (0 to 7)

■ Network Variables and Parameters

The Logic Operation Function is used to carry out an operation in a number of stages according to the amount of data stored in the input network variable and saves the result in the network variable.

Network Variables

Network Variable	Variable Type	Type Change	Name and Function
nviLgc□Din1	SNVT_switch	Impossible	DIG input 1
nviLgc□Din2	SNVT_switch	Impossible	DIG input 2
nvoLgc□Dout	SNVT_switch	Impossible	DIG output Outputs the result of logic operation. When ON: state = 1, value = 100.0 When OFF: state = 0, value = 0.0

Parameter

Parameter	Name	Explanation	Default
PA000 to PA700	Operation mode selection	0: AND 1: OR 2: Inversion (INV) 3: Non-equivalence (EQ)	1

■ Operation

The Logic Operation Function has four operation modes. Select a mode by setting the parameter PA□01.

The table below shows the output conditions of each operation mode.

Operation	Set Value in PA□01	Input				Output	
		nviLgc□Din1 (SNVT_switch)		nviLgc□Din2 (SNVT_switch)		nviLgc□Dout (SNVT_switch)	
		value	state	value	state	value	state
AND	0	NA	1	NA	1	100	1
		NA	1	NA	0 or -1	0	0
		NA	0 or -1	NA	1	0	0
		NA	0 or -1	NA	0 or -1	0	0
OR	1	NA	1	NA	1	100	1
		NA	1	NA	0 or -1	100	1
		NA	0 or -1	NA	1	100	1
		NA	0 or -1	NA	0 or -1	0	0
Reverce	2	NA	1	NA	1	100	1
		NA	1	NA	0	0	0
		NA	0	NA	1	0	0
		NA	0	NA	0	100	1
		NA	-1	NA	-1	0	0
Inversion (INV)	3	NA	1	–	–	0	0
		NA	0	–	–	100	1
		NA	-1	–	–	0	0

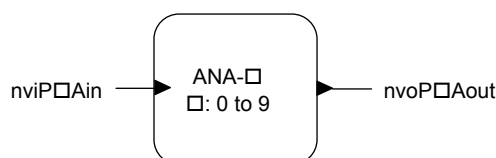
Note: □: Indicates the module number 0 to 7.

Data is sent in event-driven timing. So, data is sent when the state changes.

Any modification of the parameter settings is immediately reflected in the operation results in the output network variable.

◆ Analog Operation Function

■ Function Image



Number of modules: 10 (0 to 9)

■ Network Variables and Parameters

The Analog Operation Function is used to carry out an operation in a number of stages or steps according to the amount of data stored in the input network variable and saves the result in the output network variable.

Network Variables

Network Variable	Variable Type	Type Change	Function
nviP□Ain	SNVT_lev_percent	Possible	Executes the operation on the base of the data set in this variable according to the operation mode.
nvoP□Aout	SNVT_lev_percent	Possible	Outputs the operation result.

11 Function Modules

Parameters

Parameter	Name	Explanation	Default
Pb□00	Variable type	Indicates the variable type of nviP□Ain. Impossible to set from the Operator.	0
Pb□01	Variable type	Indicates the variable type of nvoP□Aout. Impossible to set from the Operator.	0
Pb□02	Operation mode selection	0: Ratio/Bias 1: Scheduler 2: Variation ratio limit 3: Primary delay filter	1
Pb□03	Output cycle	Operation output cycle of nvoP□Aout	1.0 s
Pb□04	Variation ratio limit value	Limits the variation of nvoP□Aout.	0
Pb□05	Delay time	Used for operation with primary delay filter.	0
Pb□06	Operation after initialization	0: Calculates as the previous output was 0. 1: Outputs the input value as it is.	0
Pb□07	Ratio	Sets a inclination when Pb□02 = 0.	1.0
Pb□08	Bias	Sets the bias when Pb□02 = 0.	0
Pb□11	Reference point 1X coordinates	Sets the coordinate value x (input).	0
Pb□12	Reference point 2X coordinates	Sets the coordinate value x (input).	0
Pb□13	Reference point 3X coordinates	Sets the coordinate value x (input).	0
Pb□14	Reference point 4X coordinates	Sets the coordinate value x (input).	0
Pb□15	Reference point 5X coordinates	Sets the coordinate value x (input).	0
Pb□16	Reference point 6X coordinates	Sets the coordinate value x (input).	0
Pb□17	Reference point 7X coordinates	Sets the coordinate value x (input).	0
Pb□18	Reference point 8X coordinates	Sets the coordinate value x (input).	0
Pb□21	Reference point 1Y coordinates	Sets the coordinate value y (input).	0
Pb□22	Reference point 2Y coordinates	Sets the coordinate value y (input).	0
Pb□23	Reference point 3Y coordinates	Sets the coordinate value y (input).	0
Pb□24	Reference point 4Y coordinates	Sets the coordinate value y (input).	0
Pb□25	Reference point 5Y coordinates	Sets the coordinate value y (input).	0
Pb□26	Reference point 6Y coordinates	Sets the coordinate value y (input).	0
Pb□27	Reference point 7Y coordinates	Sets the coordinate value y (input).	0
Pb□28	Reference point 8Y coordinates	Sets the coordinate value y (input).	0

■ Operation

The Analog Operation Function has four operation modes that can be selected by setting parameter Pb□02.

The table below shows the output conditions of each operation mode.

Operation Function	Related Parameters	Explanation	Setting
Ratio/Bias	Pb□02	Operation mode selection	0
	Pb□07	Ratio	-3276.8 to 3276.7
	Pb□08	Bias	<I>
Analog Scheduler	Pb□02	Operation mode selection	1
	Pb□11 to □18	Coordinate value x (input)	<I>
	Pb□21 to □28	Coordinate value y (output)	<I>
Variation Ratio Limiter	Pb□02	Operation mode selection	2
	Pb□03	Output cycle	0.1 to 60.0 s
	Pb□04	Variation ratio limit value	<I>
	Pb□06	Operation after initialization	0 or 1
Primary Delay Filter	Pb□02	Operation mode selection	3
	Pb□03	Output cycle	0.1 to 60.0 s
	Pb□05	Delay time	0 to 65534 s
	Pb□06	Operation after initialization	0 or 1

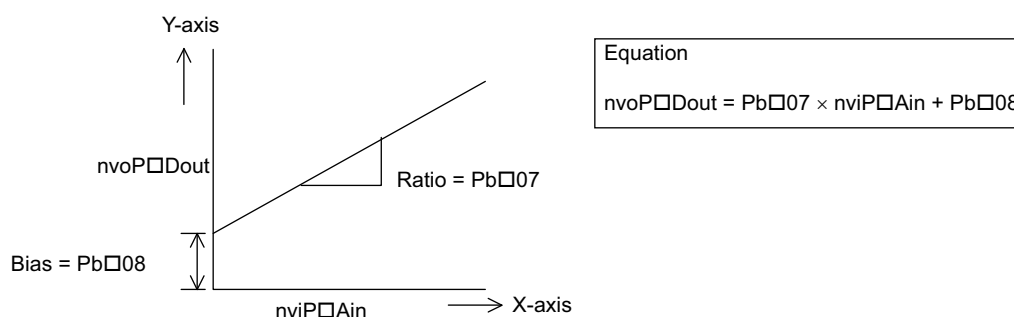
<I> Depends on variable types.

Sending Data

The data are sent in event-driven timing or using nciAoutSndHrtBt and nciMinSendTim.

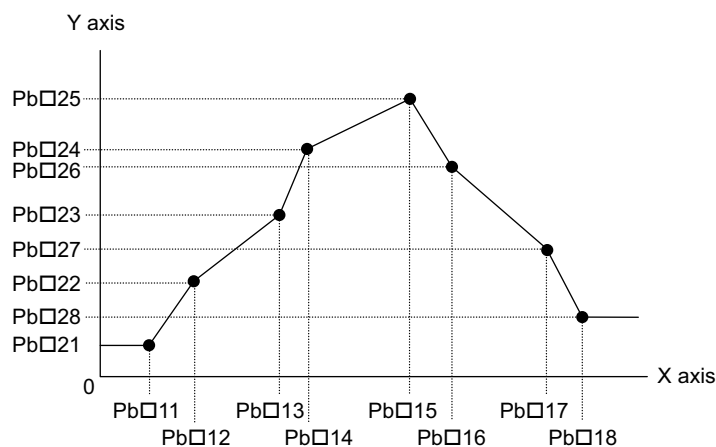
Ratio/Bias

The data in the input network variable is calculated using the following equation, and the result is sent to the output network variable.



Analog Scheduler

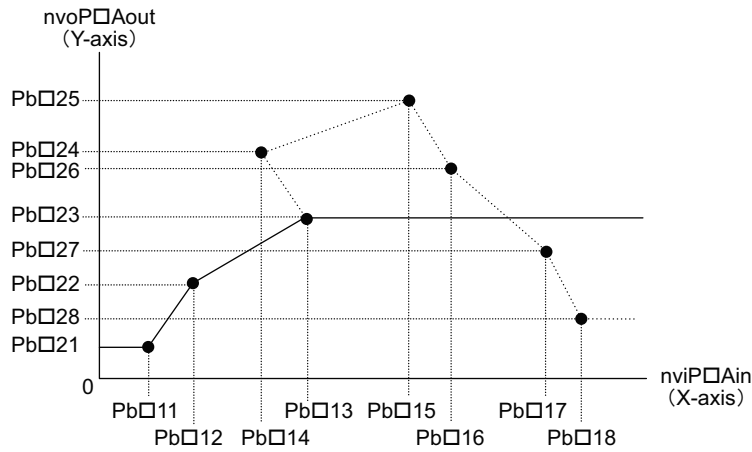
The analog data of input network variable are compensated using a line graph shown below, and the compensated result is sent to the output network variable.



11 Function Modules

- Be sure to set the analog input data parameters Pb□11 to Pb□18 in ascending order.
- If any of the parameters Pb□11 to Pb□18 are not set in ascending order, only the setting values of the parameters set in ascending order become valid and the others become invalid. Also at that time, the result from the nvoP□Aout are output and used with the values for the Y-axis set values in correspondence to the parameter set value set in ascending order.

Example: When $Pb□13 > Pb□14$, the line graph becomes as shown below. The set values of the parameters Pb□14 downward are invalid, and the set value of Pb□13 is used for operation.



- Note:**
1. For the value of nviP□Ain, the value of nvoP□Aout shown with a solid line is output.
 2. As the parameter Pb□14 was set out of ascending order, the set values of parameters Pb□14 to Pb□18 and Pb□24 to Pb□28 become invalid.
If the value of nviP□Ain is bigger than that of Pb□13 in this case, $nvoP□Aout = Pb□23$.

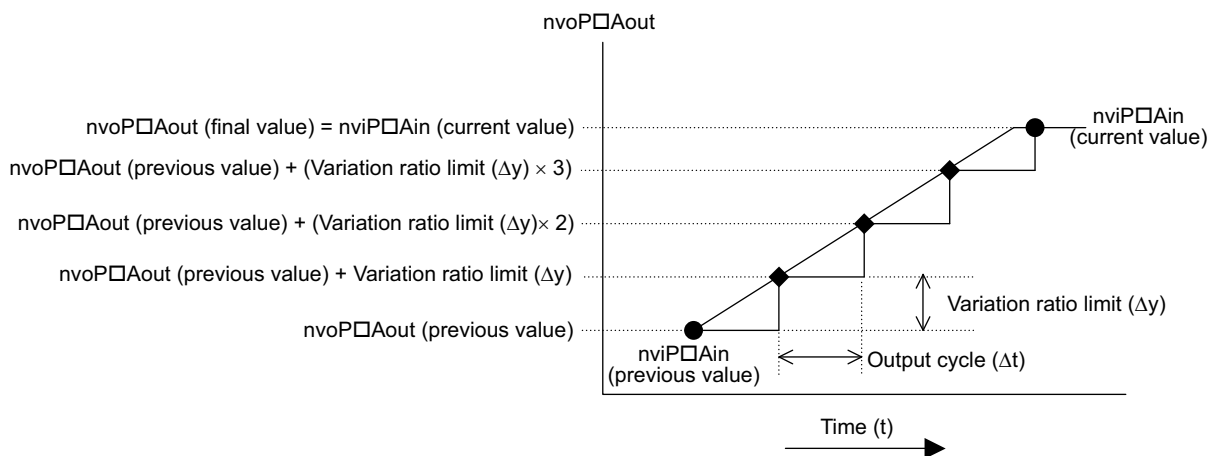
- When the parameters Pb□14 to Pb□18 are set in ascending order:

If $nviP□Ain < Pb□11$, $nvoP□Aout = Pb□21$

If $nviP□Ain > Pb□18$, $nvoP□Aout = Pb□28$

Variation Ratio Limiter

The output variation ratio limit is executed on the analog data of input network variable as shown below, and the result is sent to the output network variable.



When the value of $nviP□Ain$ changes from $nviP□Ain$ (previous value) to $nviP□Ain$ (current value), the variation ratio limit value is added to the value of $nvoP□Aout$ every output cycle so that the final value of $nvoP□Aout$ is equal to the current value of $nviP□Ain$.

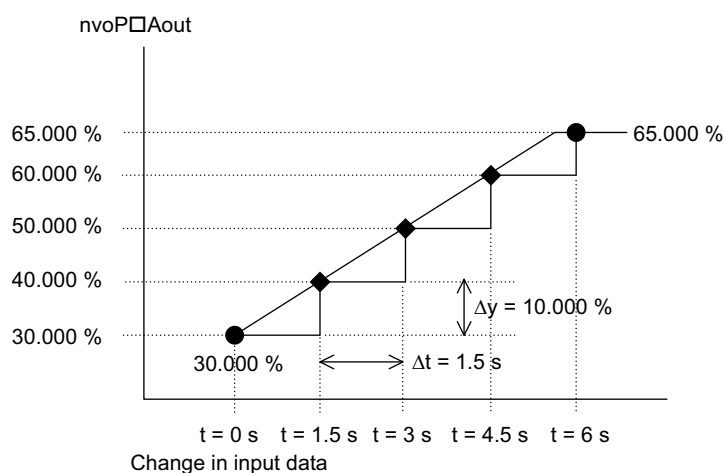
Example: $nvoP□Aout$ data process when the value of $nvoP□Ain$ changes from 30.000 to 65.000

Input and output network variable type: lev_percent

Parameter settings: As shown in the table below

Parameter	Explanation	Setting
Pb□02	Operation mode selection	2
Pb□03	Output cycle	1.5 s
Pb□04	Variation ratio limit value	10.000

After the value of $nviP□Ain$ has changed from 30.000 to 65.000, the value of $nvoP□Aout$ becomes equal to the value of $nviP□Ain$ in six seconds.



Primary Delay Filter

The data of input network variable is calculated using the equation below, and the result is sent to the output network variable.

$$nvoP□Aout(t) = nvoP□Aout(t-1) + Ts / (Ts + T_L) \times (nviP□Ain - nvoP□Aout(t-1))$$

$nvoP□Aout(t)$: Current output value

$nvoP□Aout(t-1)$: Previous output value

$nviP□Ain$: Input value

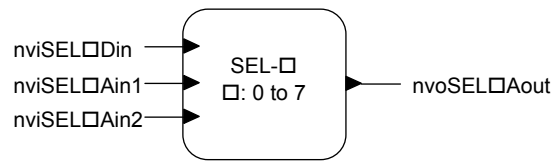
T_s : Output cycle (Pb□03)

T_L : Delay time (Pb□05)

When $T_s > T_L$, it is judged as $T_s = T_L$.

◆ Select Operation Function

■ Function Image



Number of modules: 8 (0 to 7)

■ Network Variables and Parameters

The Select Operation Function has three operation modes to be selected by setting the parameter PC□01.

Network Variables

Network Variable	Variable Type	Type Change	Name and Function
nviSEL□Din	SNVT_switch	Impossible	Executes the operation on the base of the data in this parameter according to the operation mode.
nviSEL□Ain1	SNVT_lev_percent	Possible	Input data 1
nviSEL□Ain2	SNVT_lev_percent	Possible	Input data 2
nvoSEL□Aout	SNVT_lev_percent	Possible	Outputs the selected data.

Parameters

Parameter	Name	Explanation	Default
PC□00	Variable type	Indicates the variable type of nviSEL□Ain1 and 2. Impossible to set from the Operator.	0
PC□01	Operation setting	0: State data based select 1: Hi select (Hi) 2: Lo select (Lo)	1

■ Operation

The Select Operation Function has three operation modes to be selected by setting the parameter PC□01.

The table below shows the input conditions of each operation mode

Function	PC□01 Setting	Input Condition	Output Data nvoSEL□Aout		
State Data Based Select	0	nviSEL□Din (SNVT_switch)		-	
		value	state		
		NA	1		nviSEL□Ain2
		NA	0		nviSEL□Ain1
Hi Select	1	nviSEL□Ain1 ≥ nviSEL□Ain2	nviSEL□Ain1		
		nviSEL□Ain1 < nviSEL□Ain2	nviSEL□Ain2		
Lo Select	2	nviSEL□Ain1 < nviSEL□Ain2	nviSEL□Ain1		
		nviSEL□Ain1 ≥ nviSEL□Ain2	nviSEL□Ain2		

State Data Based Select

The data of either the input network variable nviSEL□Ain1 or nviSEL□Ain2 is selected according to the state data of nviSEL□Din, and the data of the selected input network variable is sent to the output network variable nvoSEL□Aout.

When nviSEL□Din (STATE) = 0, nvoSEL□Aout = nviSEL□Ain1

When nviSEL□Din (STATE) = 1, nvoSEL□Aout = nviSEL□Ain2

When nviSEL□Din (STATE) = -1, nvoSEL□Aout = nviSEL□Ain1

Hi Select

The two data of the input network variables $nviSEL□Ain1$ and $nviSEL□Ain2$ are compared, and the data of the bigger value is output to the output network variable $nvoSEL□Aout$.

The input network variable $nviSEL□Din$ is not used.

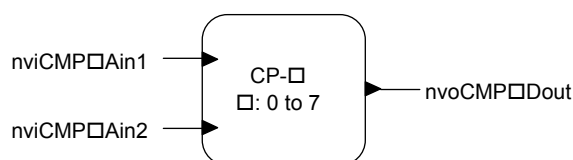
Lo Select

The two data of the input network variables $nviSEL□Ain1$ and $nviSEL□Ain2$ are compared, and the data of the smaller value is sent to the output network variable $nvoSEL□Aout$.

The input network variable $nviSEL□Din$ is not used.

◆ Comparison Operation Function

■ Function Image



Number of modules: 8 (0 to 7)

■ Network Variables and Parameters

The two data of the input network variable $nviCMP□Ain2$ is compared with that of $nviCMP□Ain1$. The result is sent to the output network variable according to the forward and the reverse operation.

Network Variables

Network Variable	Variable Type	Type Change	Name and Function
$nviCMP□Ain1$	SNVT_lev_percent	Possible	Base data for comparison
$nviCMP□Ain2$	SNVT_lev_percent	Possible	Data to compare
$nvoCMP□Dout$	SNVT_switch	Impossible	Outputs according to the operation mode.

Parameters

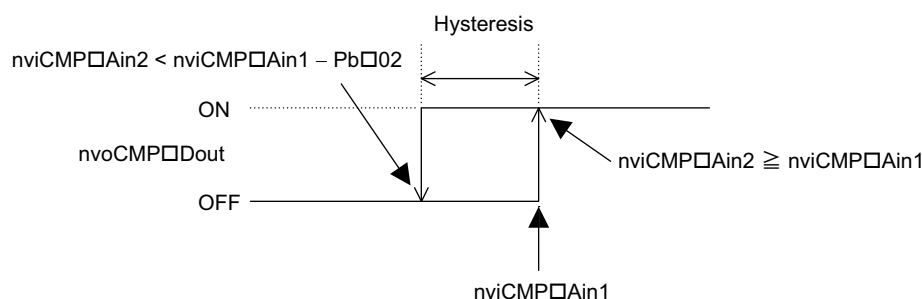
Parameter	Name	Explanation	Default
$Pd□00$	Variable type	Indicates the variable type of $nviCMP□Ain1$ and $nviCMP□Ain2$. Impossible to set from the Operator	0
$Pd□01$	Operation mode selection	0: Forward operation 1: Reverse operation	0
$Pd□02$	Hysteresis	Sets the hysteresis of output variation	0

■ Operation

Forward Operation

When the value of $nviCMP□Ain2$ is greater than that of $nviCMP□Ain1$, then $nvoCMP□Dout$ (STATE) = 1 (ON).

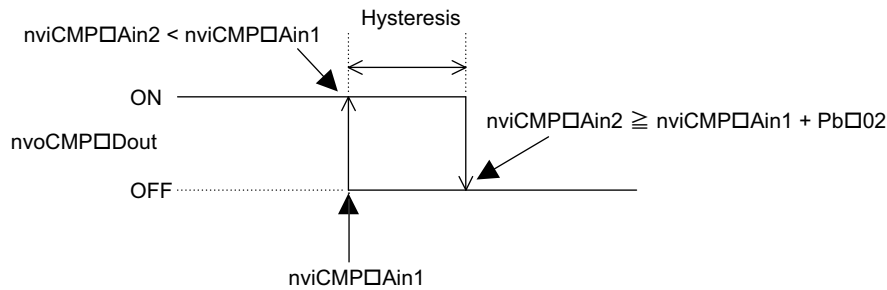
When the value of $nviCMP□Ain2$ is less than the value “ $nviCMP□Ain1 - Pb□02$ ”, $nvoCMP□Dout$ (STATE) = 0 (OFF).



Reverse Operation

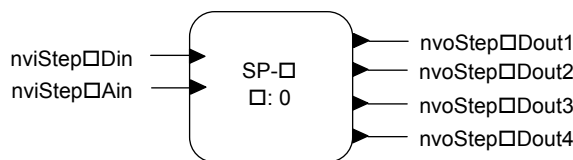
When the value of $nviCMP□Ain2$ is less than the value of $nviCMP□Ain1$, $nvoCMP□Dout$ (STATE) = 1 (ON).

When the value of $nviCMP□Ain2$ is greater than the value “ $nviCMP□Ain1 + Pb□02$ ”, $nvoCMP□Dout$ (STATE) = 0 (OFF).



◆ Step Output Operation Function

■ Function Image



Number of modules: 1 (0)

■ Network Variables and Parameters

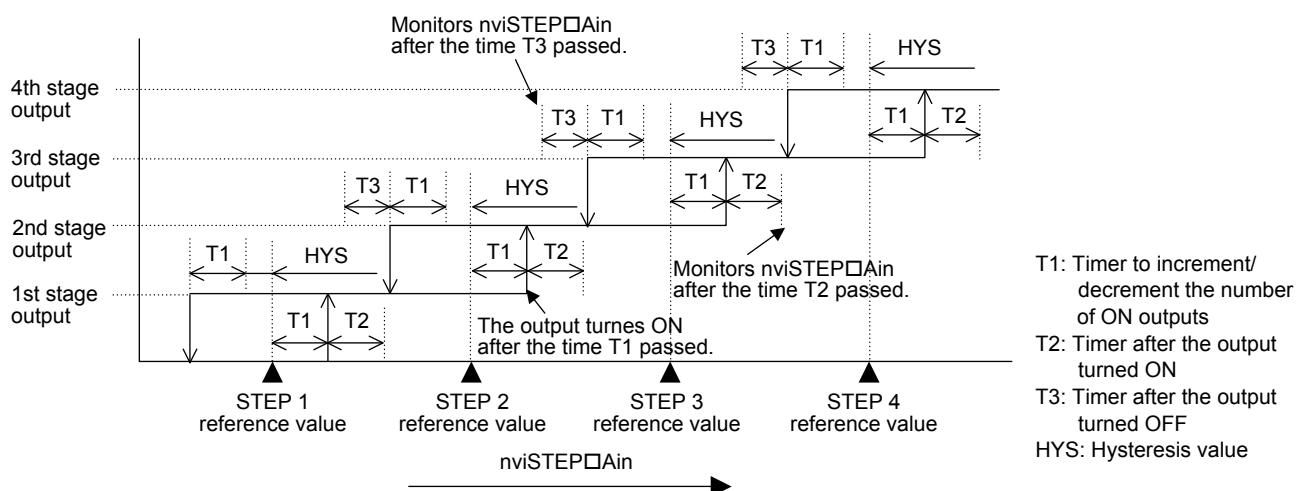
The Step Output Operation Function is used to carry out an operation in a number of stages according to the amount of data stored in the input network variable and saves the result in the output network variable.

Network Variables

Network Variable	Variable Type	Type Change	Name and Function
$nviSTEP□Din$	SNVT_switch	Impossible	Output interlock state = 0, -1: Interlock state = 1: Release interlock
$nviSTEP□Ain$	SNVT_lev_percent	Possible	Input data Compares with the reference value, and outputs in order.
$nvoSTEP□Dout1$	SNVT_switch	Impossible	Step output 1 When ON: state = 1, value = 100.0 When OFF: state = 0, value = 0.0
$nvoSTEP□Dout2$	SNVT_switch	Impossible	Step output 2 When ON: state = 1, value = 100.0 When OFF: state = 0, value = 0.0
$nvoSTEP□Dout3$	SNVT_switch	Impossible	Step output 3 When ON: state = 1, value = 100.0 When OFF: state = 0, value = 0.0
$nvoSTEP□Dout4$	SNVT_switch	Impossible	Step output 4 When ON: state = 1, value = 100.0 When OFF: state = 0, value = 0.0

Parameters

Parameter	Name	Explanation	Default
PE□00	Variable type	Impossible to set from the Operator.	0
PE□01	Operation mode selection	0: FILO (First In Last Out, 1: FIFO (First In First Out)	0
PE□02	Hysteresis	Sets the hysteresis to the reference point to turn OFF the output signal.	0
PE□11	STEP 1 reference value	The reference value to turn ON the output signal.	0
PE□12	STEP 2 reference value	The reference value to turn ON the output signal.	0
PE□13	STEP 3 reference value	The reference value to turn ON the output signal.	0
PE□14	STEP 4 reference value	The reference value to turn ON the output signal.	0
PE□15	Timer to increment/decrement the number of ON outputs	When the value of nviSTEP□Ain is greater than the reference value or less than the value "Reference value - Hysteresis value," the timer starts counting and the number of ON outputs increases or decreases by 1 after the set time. (If the value of nviSTEP□Ain does not satisfy the conditions needed to start the timer, the timer is reset.)	10
PE□16	Timer after the output turned ON	The value of nviSTEP□Ain is discarded within this set time after the output has turned ON.	60
PE□17	Timer after the output turned OFF	The value of nviSTEP□Ain is discarded within this set time after the output has turned OFF.	30
PE□18	Base output position	Set the output network variable that turns ON first. 1: nvoSTEP□Dout1, 2: nvoSTEP□Dout2 3: nvoSTEP□Dout3, 4: nvoSTEP□Dout4	1



Note: The STEP reference values must be set in ascending order. When they are not set in ascending order, only the values that are set in ascending order are valid.
 STEP 1 reference value < STEP 2 reference value < STEP 2 reference value < STEP 4 reference value

■ Operation

First In Last Out (FILO)

With this method, the nvoSTEP□Dout that was turned ON first is turned OFF last.

The nvoSTEP□Dout that turns ON first can be specified using the parameter PE□18 (base output position).

Example 1: Order of priority for output when the base position for output is 1.

Output Position	ON Output Order	OFF Output Order
nvoSTEP□Dout1	1	4
nvoSTEP□Dout2	2	3
nvoSTEP□Dout3	3	2
nvoSTEP□Dout4	4	1

11 Function Modules

Example 2: Order of output priority when the base output position is 2.

Output Position	ON Output Priority	OFF Output Priority
nvoSTEP□Dout1	3	2
nvoSTEP□Dout2	4	1
nvoSTEP□Dout3	1	4
nvoSTEP□Dout4	2	3

While the output is interlocked, all the outputs turns OFF. When the interlock is released, the output turns ON in order from the base output position.

First In First Out (FIFO)

With this method, the nvoSTEP□Dout that was turned ON first is turned OFF first.

Also after interlocking, the position of the signal to be turned ON first for the next operation is the next one for the position whose signal was last turned ON.

Example 1: Order of priority for output when the base position for output is 1.

Output Position	ON Output Priority	OFF Output Priority
nvoSTEP□Dout1	1	1
nvoSTEP□Dout2	2	2
nvoSTEP□Dout3	3	3
nvoSTEP□Dout4	4	4

Example 2: Output start position when interlocked (Base output position: 1).

STEP 1 reference value: 10.000%

STEP 2 reference value: 30.000%

STEP 3 reference value: 50.000%

STEP 4 reference value: 70.000%

Operation Pattern	Output Position	nvoSTEP□ Dout1	nvoSTEP□ Dout2	nvoSTEP□ Dout3	nvoSTEP□ Dout4	Data of nviSTEP□Ain
1	0-stage output	○	○	○	○	5.000%
2	1-stage output	●	○	○	○	12.000%
3	On being interlocked	○	○	○	○	35.000%
4	1-stage output	○	●	○	○	35.000%
5	2-stage output	○	●	●	○	35.000%
6	3-stage output	○	●	●	●	50.000%
7	On being interlocked	○	○	○	○	50.000%
8	1-stage output	●	○	○	○	20.000%
9	2-stage output	●	●	○	○	40.000%
10	3-stage output	●	●	●	○	80.000%
11	4-stage output	●	●	●	●	80.000%
12	3-stage output	○	●	●	●	60.000%
13	2-stage output	○	○	●	●	40.000%
14	On being interlocked	○	○	○	○	40.000%
15	1-stage output	●	○	○	○	40.000%
16	2-stage output	●	●	○	○	40.000%

●: Output signal ON, ○: Output signal OFF

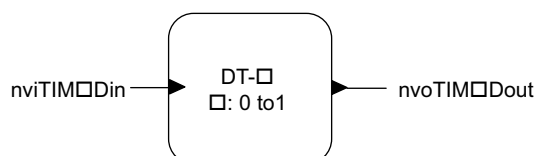
The details of the operation pattern described in the table above are in order as follows.

1. All the output signals are OFF because the value of the data of nviSTEP□Ain is less than the STEP 1 reference value.
2. The output Dout1 turns ON first as the base output position is 1.
3. All the outputs are turned OFF by setting the interlock to 0.

4. The operation restarts when the interlock is released. The position that turns ON first is not the position set for the base output position but the output step next to the output (nvoSTEP□Dout1) that turned ON last before the outputs have been interlocked in pattern 3: nvoSTEP□Dout2.
5. As the value of nviSTEP□Ain increases, the nvoSTEP□Dout3 and nvoSTEP□Dout4 turn ON in order.
6. The operation pattern is the same as pattern 5.
7. All the outputs are turned OFF by setting the interlock to 0.
8. In the same way as in pattern 4, the operation restarts when the interlock is released. The position that turns ON first is not the position set for the base output position but the output next to the output (nvoSTEP□Dout4) that turned ON last before the outputs have been interlocked in pattern 7: nvoSTEP□Dout1.
9. As the value of nviSTEP□Ain increases, the nvoSTEP□Dout2, nvoSTEP□Dout3, and nvoSTEP□Dout4 turn ON in order.
10. The operation pattern is the same as pattern 5.
11. The operation pattern is the same as pattern 5.
12. The value of the input data of nviSTEP□Ain becomes less than the STEP 4 reference value. The output nvoSTEP□Dout1 that turned ON first among four outputs turns OFF first.
13. The value of nviSTEP□Ain becomes less than the STEP 3 reference value. The output nvoSTEP□Dout2 turns OFF.
14. All the outputs are turned OFF by setting the interlock to 0.
15. In the same way as in pattern 4 and 8, the operation restarts when the interlock is released. The position that turns ON first is not the position set for the base output position but the output next to the output (nvoSTEP□Dout4) that turned ON last before the outputs have been interlocked in process 11: nvoSTEP□Dout1.
16. The value of nviSTEP□Ain is not changed but more than the STEP 2 reference value. The nvoSTEP□Dout2 turns ON after the set time of the timer.

◆ Delay Timer Function

■ Function Image



■ Network Variables and Parameters

Network Variables

Network Variable	Variable Type	Type Change	Name and Function
nviTIM□Din	SNVT_switch	Impossible	Timer start input state = -1: Output OFF state = 0: Depends on the operation mode state = 1: Depends on the operation mode
nvoTIM□Dout	SNVT_switch	Impossible	Output 1 When ON: state = 1, value = 100.0 When OFF: state = 0, value = 0.0

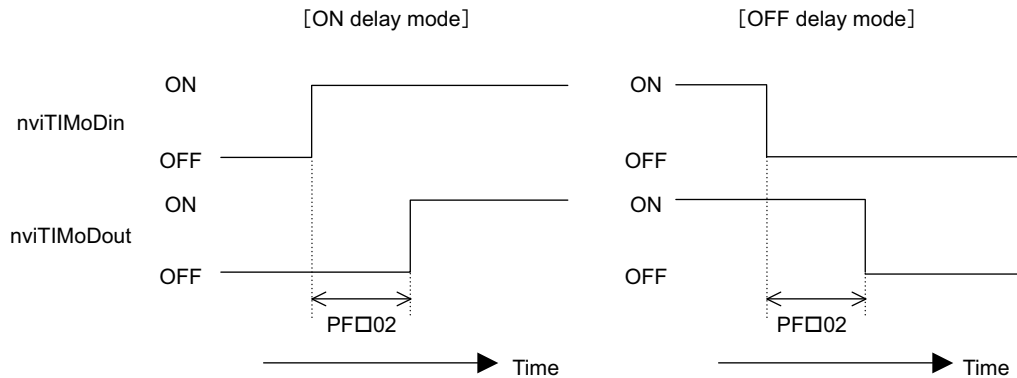
Parameters

Parameter	Name	Explanation	Default
PF□00	Operation mode selection	0: ON delay, 1: OFF delay	0
PF□01	ON delay time	Sets the ON delay time in units of 1 s.	0
PF□02	OFF delay time	Sets the OFF delay time in units of 1 s.	0
PF□04	Operation when the power turns ON	0: nvoTIM□Dout turns ON when the set delay time has passed after nviTIM□Din turned ON. 1: nvoTIM□Dout turns ON when nviTIM□Din turns ON without waiting for the set delay time.	0

■ Operation

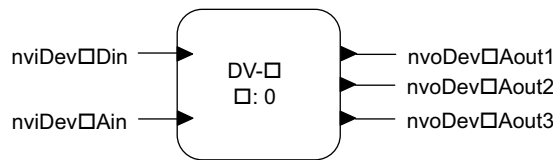
ON/OFF Delay

The ON/OFF Delay mode delays the timing to turn ON/OFF the output network variable nvoTIM□Dout according to the data of the input network variable nviTIM□Din for the set time period as shown in the following figure.



◆ Deviation Output Function

■ Function Image



■ Network Variables and Parameters

The value of the deviation added to or subtracted from the analog data (set value) of the input network variable is sent to the output network variable.

Network Variables

Network Variable	Variable Type	Type Change	Name and Function
nviDev□Din	SNVT_switch	Impossible	Used for the operation mode “Outputs with 2 deviation”. Refer to <i>Ratio/Bias on page 53</i> .
nviDev□Ain	SNVT_lev_percent	Possible	Input data The base data for the data to be output
nviDev□Aout1	SNVT_lev_percent	Possible	The deviation is added to or subtracted from the value according to the operation mode, and the result is sent to the nviDev□Ain.
nvoDev□Aout2	SNVT_lev_percent	Possible	The deviation is added to or subtracted from the value according to the operation mode, and the result is sent to the nviDev□Ain.
nvoDev□Aout3	SNVT_lev_percent	Possible	The deviations is added to or subtracted from the value according to the operation mode, and the result is sent to the nviDev□Ain.

Parameters

Parameter	Name	Explanation	Default
PG□00	Variable type	Impossible to set from the Operator	0
PG□01	Operation mode selection	0: Outputs with 3 deviations 1: Outputs with 2 deviations	0
PG□11	Deviation a	Sets a deviation.	0
PG□12	Deviation b	Sets a deviation.	0
PG□13	Deviation c	Sets a deviation.	0

■ Operation

Outputs with 3 Deviations

Three deviations set in PG□11, PG□12, PG□13 are added to or subtracted from the data of nviDev□Ain as shown below, and the results are sent to nviDev□Aout1, 2, and 3. Each output network variable is calculated using the equation below.

$$\text{nviDev}\square\text{Aout1} = \text{nviDev}\square\text{Ain} - \text{PG}\square11$$

$$\text{nvoDev}\square\text{Aout2} = \text{nviDev}\square\text{Ain} + \text{PG}\square12$$

$$\text{nvoDev}\square\text{Aout3} = \text{nviDev}\square\text{Ain} + \text{PG}\square13$$

Outputs with 2 Deviations

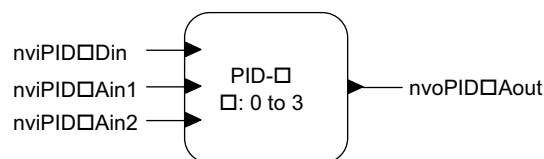
Two output data are set as follows according to the status of nviDev□Din.

- When nviDev□Din = OFF,
 nviDev□Aout1 = 0 (Fixed)
 nvoDev□Aout2 = nviDev□Ain - PG□13
 nvoDev□Aout3 = nviDev□Ain
- When nviDev□Din = ON,
 nviDev□Aout1 = nviDev□Ain
 nvoDev□Aout2 = nviDev□Ain + PG□11
 nvoDev□Aout3 = 100 (Fixed)

Note: If the result of the above operation becomes out of the effective data range, the maximum or minimum value will be output.

◆ PID Function

■ Function Image



■ Network Variables and Parameters

The PID function executes PI control using the data of two input network variables, and sent to the output network variable.

Network Variables

Network Variable	Variable Type	Type Change	Name and Function
nviPID□Din	SNVT_switch	Impossible	Output interlock 0: Interlock 1: Start control
nviPID□Ain1	SNVT_lev_percent	Possible	Sets value data (SP)
nviPID□Ain2	SNVT_lev_percent	Possible	Process input value (Feedback data) (PV)
nvoPID□Aout	SNVT_lev_percent	Impossible	Outputs the output amount calculated on the base of feedback data. Output range: -5.00 to +105.00%

Parameters

Parameter	Name	Explanation	Default
PH□00	Variable type	Impossible to set from the Operator	0
PH□01	Operation mode selection	0: Forward operation 1: Reversed operation	0
PH□02	Proportional band	0 to 6553.5 s However, when the input network variable type is set to SNVT_flow or SNVT_ppm, the value below the decimal point is rounded up for operation.	1.0
PH□03	Integral time	0 to 6553.5 s	1.0
PH□04	Output when interlocked	The value of the PID output when interlocked	0
PH□05	Reference point	The reference point to be used for operation	50

■ Operation

The PID output when interlocked can be calculated using the following equation.

$$\text{Forward operation: } P = P_{(0)} - \{(100 / P_b) \times e_i\} - \{(100 \times \theta) / (T_i \times P_b)\} \times e_i$$

$$\text{Reverse operation: } P = P_{(0)} + \{(100 / P_b) \times e_i\} + \{(100 \times \theta) / (T_i \times P_b)\} \times e_i$$

P: PID output (%) (-5 to +105%)

$P_{(0)}$: Reference point (PH□05)

P_b : Proportional band (PH□02)

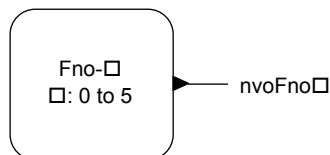
θ : Operation cycle (100 ms)

T_i : Integral time (PH□03)

e_i : Deviation (nviPID□Ain1 – nviPID□Ain2)

◆ Constant Output Function

■ Function Image



■ Network Variables and Parameters

The data set in the parameter is output.

Network Variables

Network Variable	Variable Type	Type Change	Name and Function
nvoFno□Aout	SNVT_lev_percent	Possible	The data set in the parameter is output when the power turns ON.

Parameters

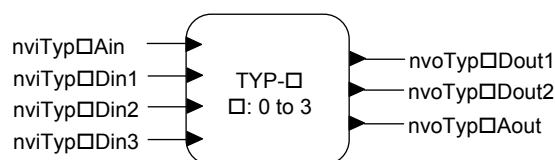
Parameter	Name	Explanation	Default
PJ□00	Variable type	Impossible to change from the Operator	0
PJ□01	Constant	Set a desired numerical value.	0

■ Operation

The constant set in the parameter is sent to the network variable.

◆ Variable Type Conversion Function

■ Function Image



■ Network Variables and Parameters

The Variable Type Conversion Function converts DIGIN to ANAOUT, and ANA_IN to DIG_OUT.

Network Variables

Network Variable	Variable Type	Type Change	Name and Function
nviTyp□Din1	SNVT_switch	Impossible	–
nviTyp□Din2	SNVT_switch	Impossible	–
nviTyp□Din3	SNVT_switch	Impossible	–
nviTyp□Ain	SNVT_lev_percent	Possible	–
nvoTyp□Dout1	SNVT_switch	Impossible	DIG output 1 When ON: state = 1, value = 100.0 When OFF: state = 0, value = 0.0
nvoTyp□Dout2	SNVT_switch	Impossible	DIG output 2 When ON: state = 1, value = 100.0 When OFF: state = 0, value = 0.0
nvoTyp□Aout	SNVT_lev_percent	Possible	–

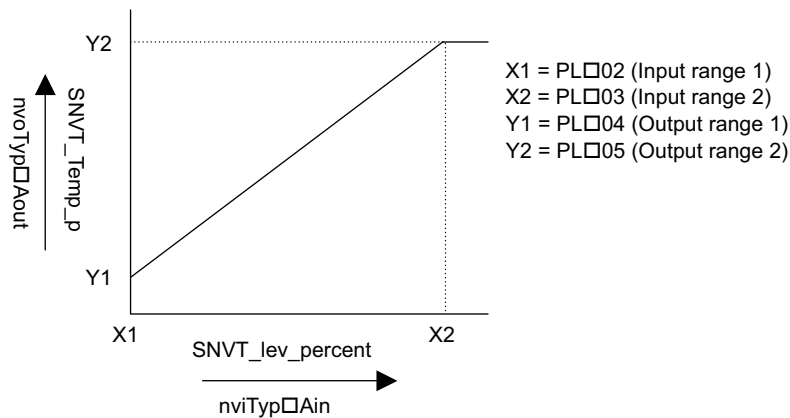
Parameters

Parameter	Name	Explanation	Default
PL□00	Variable type	Impossible to set from the Operator	0
PL□01	Variable type	Impossible to set from the Operator	0
PL□02	Input range 1	Sets the input range when converting from ANA to ANA.	0
PL□03	Input range 2	Sets the input range when converting from ANA to ANA.	0
PL□04	Output range 1	Set the output range when converting from ANA to ANA.	0
PL□05	Output range 2	Set the output range when converting from ANA to ANA.	0
PL□06	Operation mode selection	0: ANA → ANA 1: ANA → DIG 2: DIG → ANA	0
PL□10	Input reference data	The value to turn ON nvoTyp□Dout1 when converting from ANA to DIG	999
PL□11	Input reference data	The value to turn ON nvoTyp□Dout1 when converting from ANA to DIG	999
PL□12	Input reference data	The value to turn ON nvoTyp□Dout1 when converting from ANA to DIG	999
PL□13	Input reference data	The value to turn ON nvoTyp□Dout1 when converting from ANA to DIG	999
PL□14	Input reference data	The value to turn ON nvoTyp□Dout2 when converting from ANA to DIG	999
PL□15	Input reference data	The value to turn ON nvoTyp□Dout2 when converting from ANA to DIG	999
PL□16	Input reference data	The value to turn ON nvoTyp□Dout2 when converting from ANA to DIG	999
PL□17	Input reference data	The value to turn ON nvoTyp□Dout2 when converting from ANA to DIG	999
PL□18	Output reference data	The data to be sent if nviTyp□Din1=ON when converting from DIG to ANA	–
PL□19	Output reference data	The data to be sent if nviTyp□Din2=ON when converting from DIG to ANA	–
PL□20	Output reference data	The data to be sent if nviTyp□Din3=ON when converting from DIG to ANA	–

■ Operation

Conversion from ANA to ANA (PL□02 (operation mode selection) = 0)

- Example: Conversion from percent to Temp



Conversion from ANA to DIG (PL□02 (operation mode selection) = 1)

The value of nviTyp□Ain is compared with the set values of PL□10 to 17, and when the value of nviTyp□Ain agrees with a set value of PL□10 to 17, the Dout corresponding to the parameter of the agreed value turns ON.

If an invalid data is input, the outputs turn OFF.

- Example: Conversion from SNVT_lev_percent to SNVT_switch
 PL□10: 10.000%, PL□11: 30.000%, PL□12: 50.000%, PL□13: 70.000%,
 PL□14: 20.000%, PL□15: 40.000%, PL□16: 60.000%, PL□17: 80.000%

ON Output	Data of nviTyp□Ain (SNVT_lev_percent)									
	0	5	10	20	25	30	35	40	80	75
nvoTyp□Dout1	○	○	●	○	○	●	○	○	○	○
nvoTyp□Dout2	○	○	○	●	○	○	○	●	●	○

●: Output signal ON, ○: Output signal OFF

- Example: Conversion from SNVT_hvac_mode to SNVT_switch
 PL□10: 1 (HEAT), PL□11: 3 (COOL), PL□12: 0 (AUTO),
 PL□13: 2 (WRMUP), PL□14: 2 (WRMUP), PL□15: 6 (OFF),
 PL□16: 999, PL□17: 999

ON Output	Data of nviTyp□Ain (SNVT_hvac_mode)									
	0	4	6	2	1	6	2	7	3	FF
nvoTyp□Dout1	●	○	○	●	●	○	●	○	●	○
nvoTyp□Dout2	○	○	●	●	○	●	●	○	○	○

●: Output signal ON, ○: Output signal OFF

Conversion from DIG to ANA (PL□02 (operation mode selection) = 2)

When nviTyp□Din1 is ON, the set value of PL□18 is output to nvoTyp□Aout.

When nviTyp□Din2 is ON, the set value of PL□19 is output to nvoTyp□Aout.

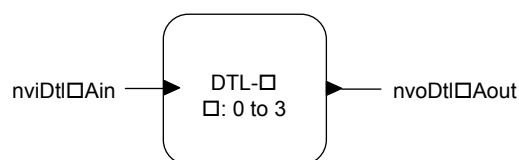
When nviTyp□Din3 is ON, the set value of PL□20 is output to nvoTyp□Aout.

When nviTyp□Din1, nviTyp□Din2 and nviTyp□Din3 are ON at the same time, the set values are displayed as follows;

nviTyp□Din3 > nviTyp□Din2 > nviTyp□Din1

◆ Save Data Function

■ Function Image



■ Network Variables and Parameters

The Save Data function saves the input data at reception. The saved data is not cleared whenever the power turns OFF.

Network Variables

Network Variable	Variable Type	Type Change	Name and Function
nviDtl□Ain	SNVT_lev_percent	Possible	–
nvoDtl□Aout	SNVT_lev_percent	Possible	–

Parameters

Parameter	Name	Explanation	Default
Po□00	Variable type	Impossible to set from the Operator	0

■ Operation

The analog input data is saved in the EEPROM to prevent the data from being lost during a power failure.

Usually, the data of nviDtl□Ain is sent to nvoDtl□Aout.

Note: Do not change the input network variables of this function unless necessary because doing so will greatly shorten the life of EEPROM.

◆ Standard Network Variable Types (SNVTs)

The following five standard network variable types can be selected from the Operator for SNVT regarded as the data.

Parameter Setting	Name	Variable Type	Descriptions
0	Percent (Humidity, frequency, etc.)	SNVT_lev_percent	SNVT #: 81 Measurement: Percent Level or Humidity Data type: Fixed Point Scalar - signed long Data size: 2 bytes Data range (Resolution): -163.84 to 163.83% (0.005%/bit). The value 0x7FFF represents invalid data.
1	Pressure	SNVT_Press	SNVT#: 30 Measurement: Gauge Pressure Data type: Fixed Point Scalar - signed long Data size: 2 bytes Data range (Resolution): -3,276.8 to 3,276.7 kilopascals (0.1 kPa)
2	Pressure	SNVT_Press_p	SNVT#: 113 Measurement: Gauge Pressure Data type: Fixed Point Scalar - signed long Data size: 2 bytes Data range (Resolution): -32,768 to 32,766 Pascals (1 Pa). The value 0x7FFF represents invalid data.

11 Function Modules

Parameter Setting	Name	Variable Type	Descriptions
3	Flow	SNVT_flow	SNVT#: 15 Measurement: Flow Data type: Fixed Point Scalar - unsigned long Data size: 2 bytes Data range (Resolution): 0 to 65,534 l/s (1 l/s). The value 0xFFFF represents invalid data.
4	Temperature	SNVT_temp_p	SNVT#: 105 Measurement: Temperature Data type: Fixed Point Scalar - signed long Data size: 2 bytes Data range (Resolution): -273.17 to 327.66°C (0.01°C). The value 0x7FFF represents invalid data.
5	Concentration	SNVT_ppm	SNVT#: 29 Measurement: Concentration Data type: Fixed Point Scalar - unsigned long Data size: 2 bytes Data range (Resolution): 0 .. 65,535 parts per million (1 ppm) The value 0xFFFF (65,535) represents invalid data.
6	HVAC mode	SNVT_HVAC_mode	SNVT#: 108 Contents: HVAC mode Data type: Enumeration Scalar Data size: 1 byte Data range (Resolution): hvac_t Enumeration Typedef File: SNVT_HV.H
			Enum Definitions Value Identifier 0 HVAC_AUTO:Controller automatically changes between application modes 1 HVAC_HEAT:Heating only 2 HVAC_MRNG_WRMUP:Application-specific morning warm-up 3 HVAC_COOL:Cooling only 4 HVAC_NIGHT_PURGE:Application-specific night purge 5 HVAC_PRE_COOL:Application-specific pre-cool 6 HVAC_OFF:Controller not controlling outputs 7 HVAC_TEST:Equipment being tested 8 HVAC_EMERG_HEAT:Emergency heat mode (heat pump) 9 HVAC_FAN_ONLY:Air not conditioned, fan turned on 10 HVAC_FREE_COOL:Cooling with compressor not running 11 HVAC_ICE:Ice-making mode 0xFF HVAC_NUL:Value not available

Parameter Setting	Name	Variable Type	Descriptions
7	HVAC mode	SNVT_HVAC_state	SNVT#: 112 Contents: HVAC status Data type: Structure Data size: 12 bytes
<pre> Structure typedef struct { hvac_t mode; signed longheat_output_primary; signed longheat_output_secondary; signed longcool_output; signed longecon_output; signed longfan_output; unsigned in_alarm; } SNVT_hvac_status; Field Definitions Field Units Valid Range Notes mode hvac_t compatible with SNVT_hvac_mode heat_output_primary SNVT_lev_percent-163.83 .. +163.83% primary heat output heat_output_secondary SNVT_lev_percent-163.83 .. +163.83% secondary heat output cool_output SNVT_lev_percent-163.83 .. +163.83% cooling output econ_output SNVT_lev_percent-163.83 .. +163.83% economizer output fan_output SNVT_lev_percent-163.83 .. +163.83% fan output in_alarm boolean 0 .. 11 means unit is in alarm </pre>			

12 Specifications

Table 8 Option Specifications

Items	Specifications
Model	SI-W3
Note Type	Host Application Node
Communication Speed	78 kbps
Communication IC	Neuron chip FT3120
Communication Driver	FT-X1 (free topology)
Protocol	LonTalk protocol node
Network Variables	Total: 236 Standard Network Variable Types (SNVT): Variable Speed Motor Drive function profile Ver1.1
Network Variable Alias	Maximum: 50
Maximum Number of Connections	64 (in one segment)
Total Wiring Length	Max 500 m
Ambient Temperature	-10°C to +50°C (14°F to 122°F)
Humidity	95% RH or lower with no condensation
Storage Temperature	-20°C to +60°C (-4°F to 140°F) allowed for short-term transport of the product
Area of Use	Indoor (free of corrosive gas, airborne particles, etc.)
Altitude	1000 m (3280 ft.) or lower

◆ Revision History

Revision dates and manual numbers appear on the bottom of the back cover.

MANUAL NO. SIEP C730600 56A

Published in Japan December 2011 11-12

└─ Date of original publication
└─ Date of publication

Date of Publication	Revision Number	Section	Revised Content
December 2011	–	–	First edition

YASKAWA AC Drive1000-Series Option

LONWORKS

Technical Manual

DRIVE CENTER (INVERTER PLANT)

2-13-1, Nishimiyaichi, Yukuhashi, Fukuoka, 824-8511, Japan
Phone: 81-930-25-3844 Fax: 81-930-25-4369
<http://www.yaskawa.co.jp>

YASKAWA ELECTRIC CORPORATION

New Pier Takeshiba South Tower, 1-16-1, Kaigan, Minatoku, Tokyo, 105-6891, Japan
Phone: 81-3-5402-4502 Fax: 81-3-5402-4580
<http://www.yaskawa.co.jp>

YASKAWA AMERICA, INC.

2121 Norman Drive South, Waukegan, IL 60085, U.S.A.
Phone: (800) YASKAWA (927-5292) or 1-847-887-7000 Fax: 1-847-887-7310
<http://www.yaskawa.com>

YASKAWA ELÉTRICO DO BRASIL LTDA.

Avenida Fagundes Filho, 620 Bairro Saude, São Paulo, SP04304-000, Brasil
Phone: 55-11-3585-1100 Fax: 55-11-5581-8795
<http://www.yaskawa.com.br>

YASKAWA EUROPE GmbH

Hauptstrasse 185, 65760 Eschborn, Germany
Phone: 49-6196-569-300 Fax: 49-6196-569-398
<http://www.yaskawa.eu.com>

YASKAWA ELECTRIC UK LTD.

1 Hunt Hill Orchardton Woods, Cumbernauld, G68 9LF, United Kingdom
Phone: 44-1236-735000 Fax: 44-1236-458182
<http://www.yaskawa.co.uk>

YASKAWA ELECTRIC KOREA CORPORATION

9F, Kyobo Securities Bldg., 26-4, Yeouido-dong, Yeongdeungpo-gu, Seoul, 150-737, Korea
Phone: 82-2-784-7844 Fax: 82-2-784-8495
<http://www.yaskawa.co.kr>

YASKAWA ELECTRIC (SINGAPORE) PTE. LTD.

151 Lorong Chuan, #04-01, New Tech Park, 556741, Singapore
Phone: 65-6282-3003 Fax: 65-6289-3003
<http://www.yaskawa.com.sg>

YASKAWA ELECTRIC (SHANGHAI) CO., LTD.

12F, Carlton Bld., No.21 HuangHe Road, HuangPu District, Shanghai 200003, China
Phone: 86-21-5385-2200 Fax: 86-21-5385-3299
<http://www.yaskawa.com.cn>

YASKAWA ELECTRIC (SHANGHAI) CO., LTD. BEIJING OFFICE

Room 1011, Tower W3 Oriental Plaza, No. 1 East Chang An Ave.,
Dong Cheng District, Beijing, 100738, China
Phone: 86-10-8518-4086 Fax: 86-10-8518-4082

YASKAWA ELECTRIC TAIWAN CORPORATION

9F, 16, Nanking E. Rd., Sec. 3, Taipei, 104, Taiwan
Phone: 886-2-2502-5003 Fax: 886-2-2505-1280

YASKAWA ELECTRIC INDIA PRIVATE LIMITED

#17/A Electronics City, Hosur Road Bangalore 560 100 (Karnataka), India
Phone: 91-80-4244-1900 Fax: 91-80-4244-1901
<http://www.yaskawaindia.in>



YASKAWA ELECTRIC CORPORATION

In the event that the end user of this product is to be the military and said product is to be employed in any weapons systems or the manufacture thereof, the export will fall under the relevant regulations as stipulated in the Foreign Exchange and Foreign Trade Regulations. Therefore, be sure to follow all procedures and submit all relevant documentation according to any and all rules, regulations and laws that may apply.

Specifications are subject to change without notice for ongoing product modifications and improvements.

© 2011 YASKAWA ELECTRIC CORPORATION. All rights reserved.

MANUAL NO. SIEP C730600 56A

Published in Japan December 2011 11-12
11-12-7